

# RS800 Transaxle

## Add grease into the unit

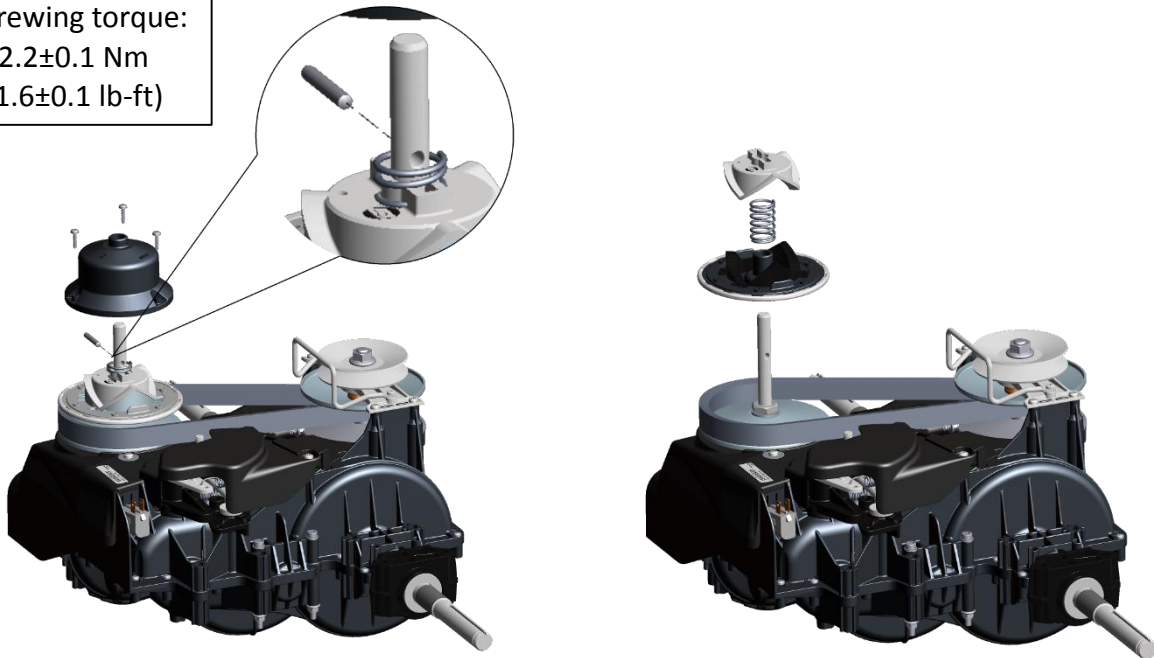
### INFORMATION:

- As the RS800 transaxle is a mechanical transmission, the grease is in there only for heat dispersion and gear lubricating.
- The grease quantity is therefore much less critical than oil level in a hydrostatic transaxle and, even if the leak seems excessive, there is usually no need to add any grease while replacing the seals.
- Nevertheless, if you feel it is necessary, we recommend not to add more than 1lb of grease EP00, GT42737 (available on Amazon.com).
- As the RS800 transaxle is not serviceable, there is no easy way to add lubricant. If adding grease please see the instructions below.

### I- Remove Driven kit and protection cover

-Remove the 3 screws to liberate the cover, press the aluminum ramp to compress the spring and liberate the pin, then remove the aluminum ramp, spring and mobile flange

Screwing torque:  
 $2.2 \pm 0.1$  Nm  
 $(1.6 \pm 0.1)$  lb-ft



# RS800 Transaxle

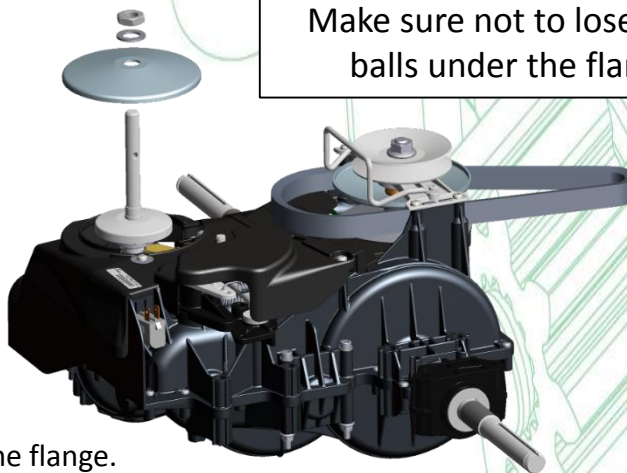
## Add grease into the unit

-Unscrew the nut using the special tool P/N 79252 (see p.19), then remove the fixed flange.

Screwing torque:  $53,5 \pm 2$  lb-ft

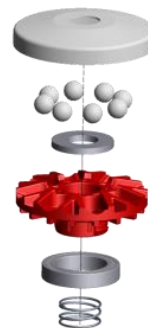


Make sure not to lose the 8 balls under the flange

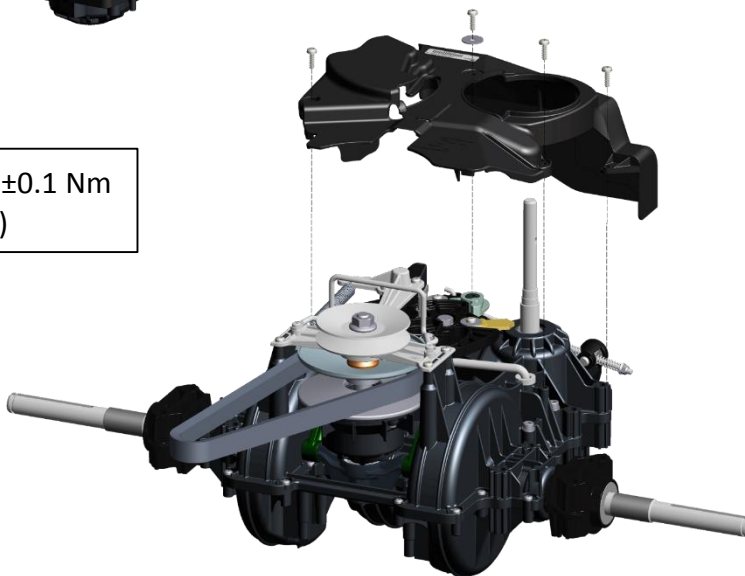


When re-installing the components:

- Make sure the 8 balls are present under the flange.
- Respect the torques of the nut and screws.
- Make sure the belt is properly positioned in the pulley.
- Ensure that the spring is between the mobile flange and the aluminum ramp.



Screwing torque:  $3.2 \pm 0.1$  Nm  
( $2.4 \pm 0.1$  lb-ft)

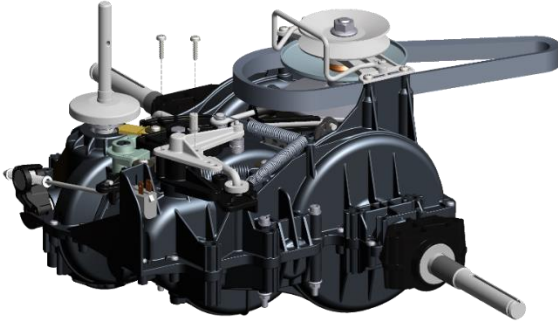


# RS800 Transaxle

## Add grease into the unit

### II- Remove Brake lever and Bypass lever

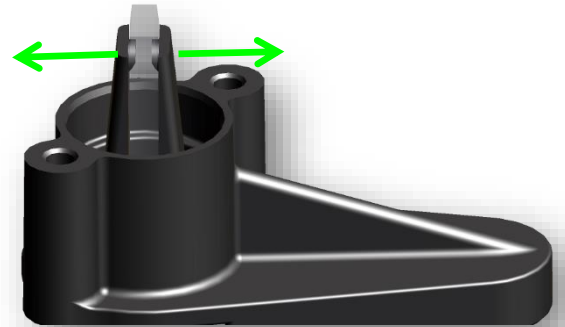
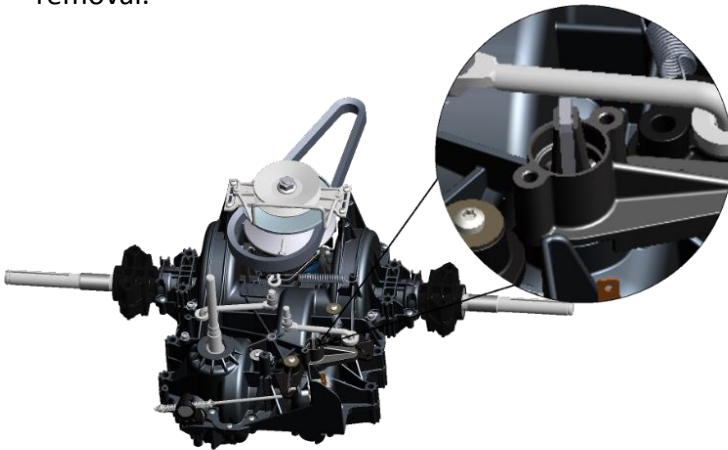
-Disconnect the brake spring, then remove the screws, to liberate the aluminum lever.



Screwing torque:  $3.2 \pm 0.2$  Nm  
( $2.4 \pm 0.1$  lb-ft)



-Separate and hold the 2 strips of the lever, to release the two studs and allow the lever removal.



### III- Add grease

-EP00 grease can be injected through the opening.

