

# RS800 automatic transmission – Foot pedal

## Check-list before removing the transmission

### I- Define if this is an internal or an external failure

- In case of internal failure the transmission must be replaced. If it is external the transmission can be repaired.
- A loss of speed, a loss of torque or a difficulty in reversing cannot be caused by an internal issue.

### 1) Verify that the transmission provide Forward and Reverse

Lift the rear of the tractor and engage the pedal in forward or reverse



At the same time, manually rotate the secondary pulley.

The wheels should rotate in forward and reverse.



**\*MAKE SURE PARKING BRAKE NOT ENGAGED\***



Cause: If the tractor wheels do not turn when the Secondary pulley is rotating, it is an internal failure.

Action: Transmission must be replaced.

# RS800 automatic transmission – Foot pedal

## Check-list before removing the transmission

### 2) Verify the differential system

Lift the rear of the tractor and manually rotate 1 wheel.  
The other wheel must rotate in the opposite direction.



Cause: If the wheels do not turn in opposite directions the differential system is broken inside the transmission.

Action: Make sure the keys are present in both wheels.  
If yes, transmission must be replaced.

**If the transmission shows normal operation during this 2 verifications, the problem is most probably due to the failure of an external system.**

**Please follow the 2<sup>nd</sup> part of this procedure to determine which part is failing.**

# RS800 automatic transmission – Foot pedal

## Check-list before removing the transmission

### II- Define which external part is causing the failure

- If the failure is external, replacement kits are available for controls and variation system.

#### 1) Check the freewheel system (Bypass)

Issue: Impossible to freewheel the tractor



Freewheel OFF



Freewheel ON



Pressing the brake pedal must automatically disengage the freewheel

The tractor must be in neutral position

Cause: Incorrect neutral setting or broken brake lever on the transmission.

Action: Slightly move the pedal to forward/reverse to find the neutral position. Replace the broken brake lever.



The aluminum brake lever is located on the left side of the transmission.

The rod coming from the brake pedal is connected to the brake lever.

# RS800 automatic transmission – Foot pedal

## Check-list before removing the transmission

2) Verify that the Primary pulley is not damaged

Issue: Loss of traction, loss of torque, noise



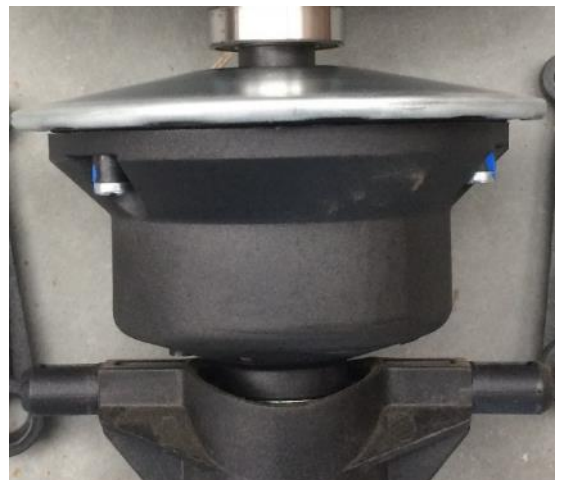
Can be checked by the rear of the tractor



Viewed from below



Damaged primary pulley



New primary

Cause: Primary cover can be damaged by an external debris.

Action: Replace the Primary pulley. The Primary pulley kit has been updated to include a fan and a new cover.

# RS800 automatic transmission – Foot pedal

## Check-list before removing the transmission

### 3) Loss of spring and nut on inversion rod

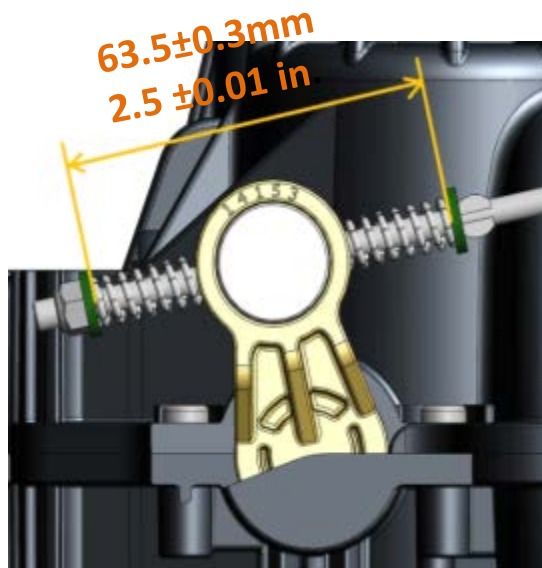
Issue: Tractor keep going Forward when you want to go Reverse



The inversion rod is located on the front of the transmission, on the right side of the tractor

Action: Install the spring and nut and adjust the position of the nut.

If they are lost, the spring and nut are available with the Inversion kit.



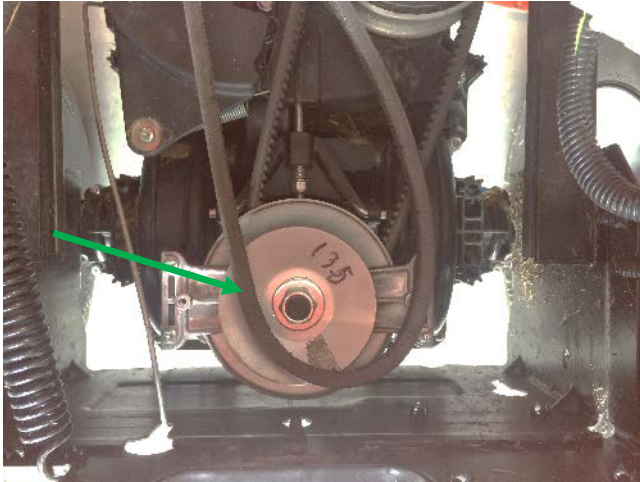
# RS800 automatic transmission – Foot pedal

## Check-list before removing the transmission

### 4) Verify if the belt is properly released in neutral position

Issue: If the variation belt keeps rotating in neutral position, the inversion with the pedal will be difficult.

If the pulley does not rotate freely, refer to the “Driver pulley pollution” bulletin to clean the area.



Remove the drive belt from the pulley



Manually rotate the pulley

The pulley must rotate freely without driving the variation belt

Cause: Debris below the Primary pulley or below.

Action: Reinstall rod and clip. Clip is not a GT part.

# RS800 automatic transmission – Foot pedal

## Check-list before removing the transmission

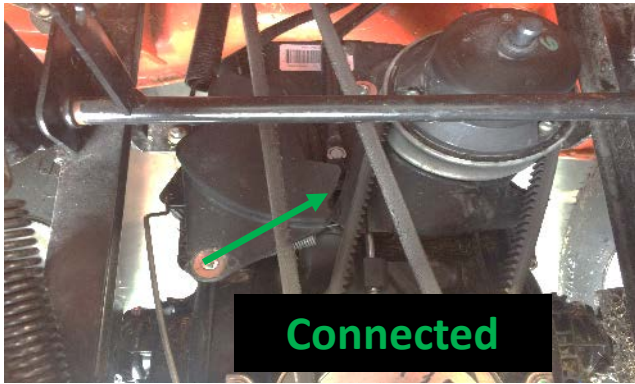
### 5) Check if pedal is properly connected to the transmission

Issue: Loss of forward (sometime loss of forward and reverse)



#### Test:

If the pedal is loose, verify that the control rod and its clip are properly connected on the top of the transmission.



Cause: Loss of the clip on the axle, where the rod is connected.

Action: Reinstall rod and clip. Clip is not a GT part.

# RS800 automatic transmission – Foot pedal

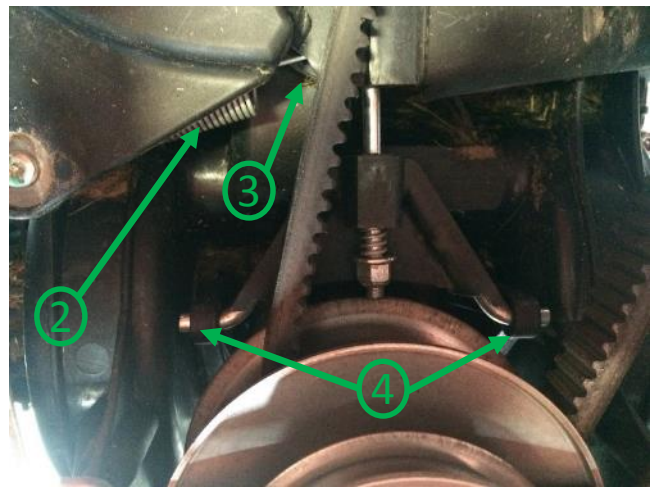
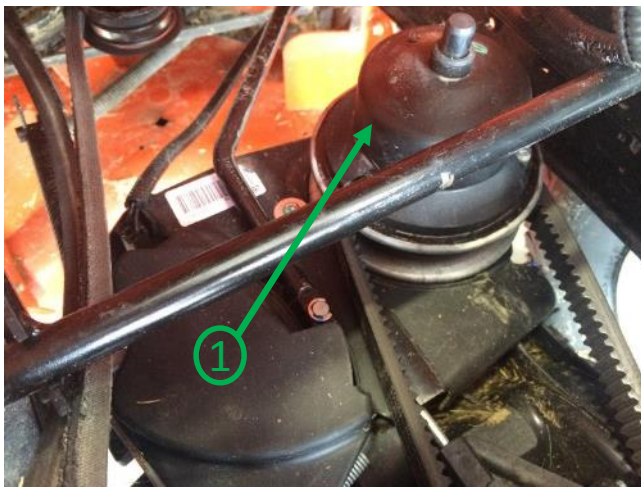
## Check-list before removing the transmission

### 6) Broken parts on top of the transmission

Some parts which could be damaged on the top of the transmission and can affect the traction, torque, speed or neutral setting.

After removing the battery, check for damaged Secondary pulley (1), broken neutral spring (2), broken shift cam (3) or broken variation levers (4).

The shift cam is located below the cover.



Action: All the external parts are available.