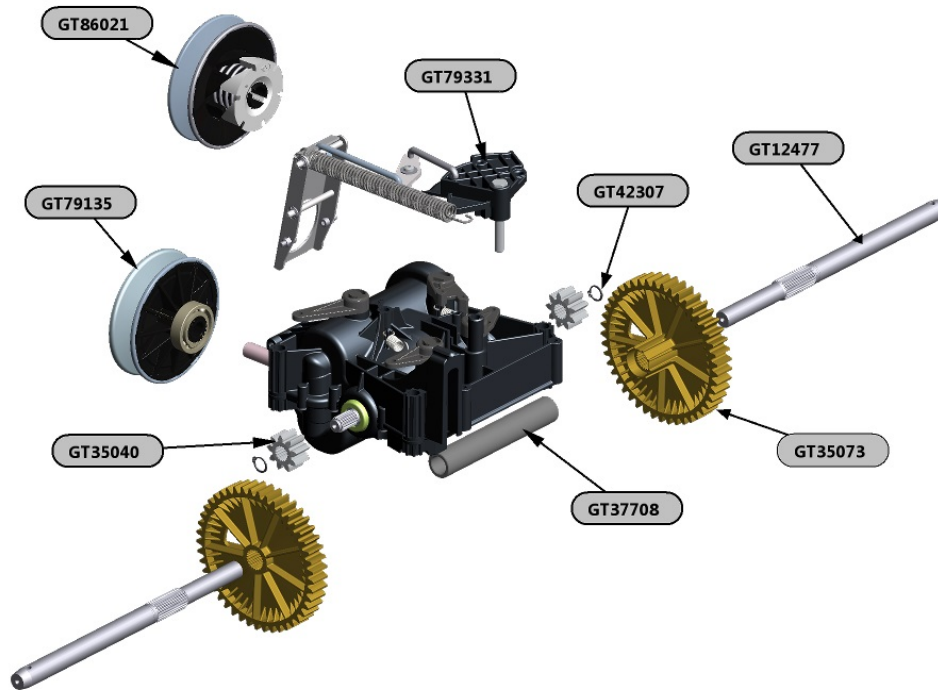


## HR 300P - Exploded view



In the table below, all the GT Part Number are available to order at our distributor's.

The GT Part Numbers with a link offer the exploded view of the part or the kit (it opens in a new tab of your navigator)

| <b>I<br/>t<br/>e</b> | <b>GT Part Number</b> | <b>Designation</b> |
|----------------------|-----------------------|--------------------|
| <b>1</b>             | GT87022               | <b>Gear Box</b>    |
| <b>2</b>             | GT35073               | <b>Gear Z45</b>    |
| <b>3</b>             | GT35040               | <b>Gear Z9</b>     |
| <b>4</b>             | GT37708               | <b>Tube</b>        |
| <b>5</b>             | GT12477               | <b>Wheel Shaft</b> |
| <b>6</b>             | GT42307               | <b>Clip 13x1</b>   |

| <b>I<br/>t<br/>e</b> | <b>GT Part Number</b>     | <b>Designation</b>                 |
|----------------------|---------------------------|------------------------------------|
| 7-<br>C              | <a href="#">GT79331-C</a> | <b>Control Kit (from 09/2015)</b>  |
| 7-<br>A              | GT79331-A                 | <b>Control Kit (up to 08/2015)</b> |
| 8                    | <a href="#">GT86021</a>   | <b>Engine Pulley</b>               |
| 9                    | GT43584                   | <b>Screw M8x20 left thread</b>     |
| 1<br>0               | <a href="#">GT79135</a>   | <b>Transmission pulley</b>         |

To order the transmission, a spare part of it or a kit, please note down the GT Part Number and follow the link below :

[Distributor Map](#)