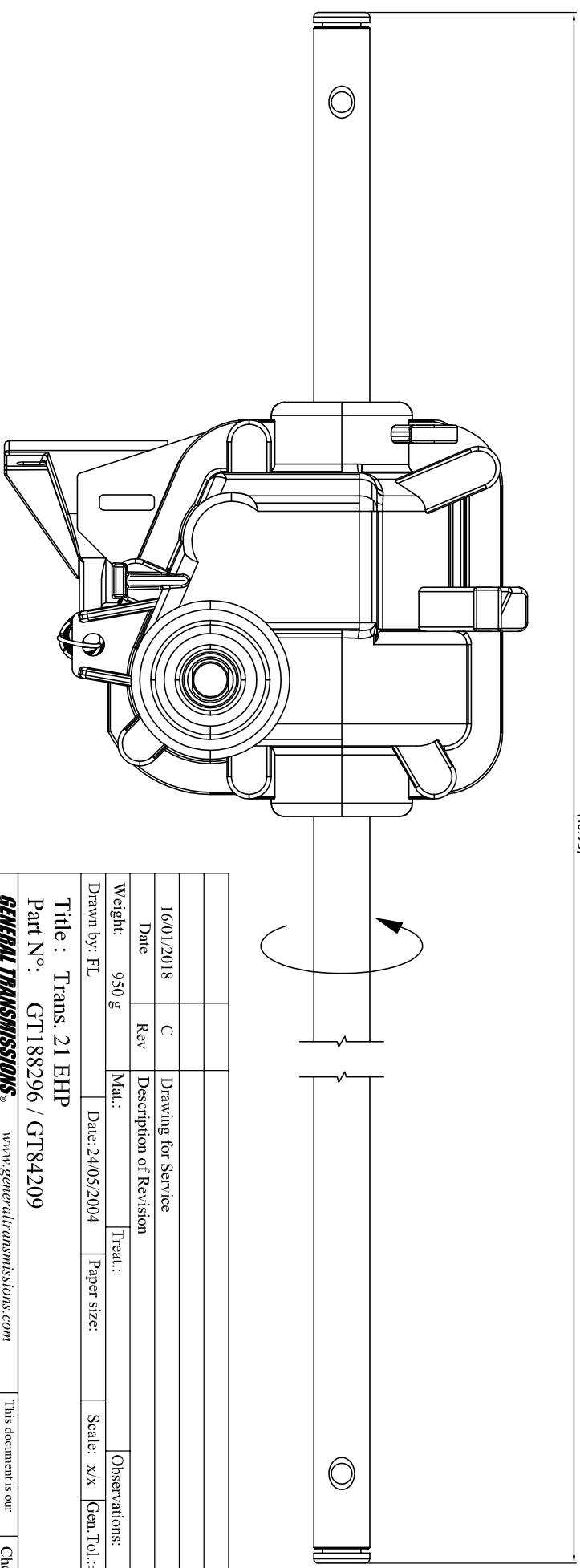


Ø3/8 - 16 UNC

Ratio : 6.75

(18,93)



Date	16/01/2018	Rev	C	Description of Revision	Drawing for Service	Mat.:		Treat.:		Paper size:		Scale:	x/x	Gen.Tol.:	±0.027	Ang.Tol.:	±1°
Weight:	950 g	By	FB	Observations:													
Drawn by:	FL																

Title : Trans. 21 EHP

Part N° : GT188296 / GT84209

GENERAL TRANSMISSIONS
 BP 317 - ZI Bois Joly n°4 - 2345 Hudson Blvd Boverville, Ave Lirions 90 - Zona Industrial -
 83503 Lest Hoehlers FRANCE TX 78526 USA Mamanos-Tam C.P 87325 Mexico
 Tel: (33) 02 51 66 96 30 Tel: (1) 956 541 3443 Tel: (52) 868 810 3790
 Fax: (33) 02 51 66 84 63 Fax: (1) 956 541 9941 Fax: (52) 868 810 2723

This document is our property. It can't be used, duplicated or given to third parties without our written authorization.

Checked by : Approved by:

