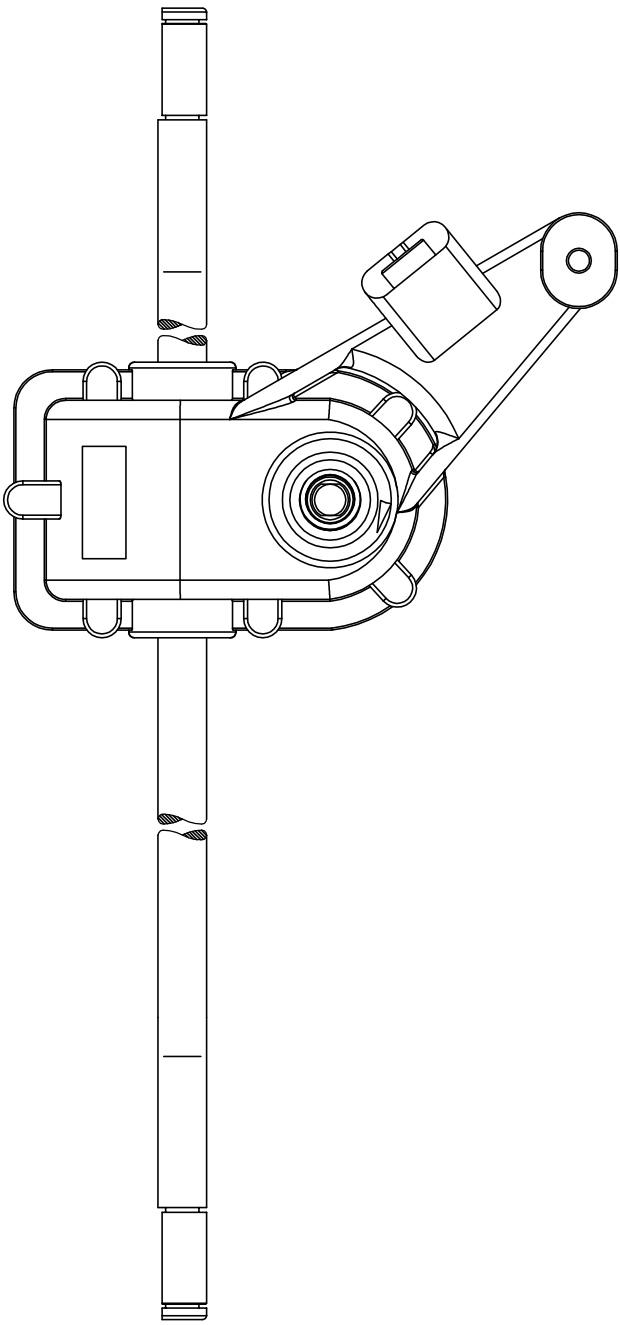


(18.67)

Ratio : 4.8



27/07/2009		I		Drawing for Service							
Date		Rev		Description of Revision		By		FB			
Weight:		Mat:		Treat:		Observations:					
Drawn by: François		Date: 21/11/2002		Paper size:		Scale: x/x		Gen. Tol.: ±0.027		Ang. Tol.: ±0.5°	
Title : Asm Transmission RGD 21 EZ/AW Part N°: GT188645											
This document is our property. It can't be used, duplicated or given to third parties without our written authorization.											
Checked by : Approved by :											

BP 317 - ZI Bois Joy n°4 -
 85503 Les Herbiers FRANCE
 GENERAL TRANSMISSIONS®
 2345 Hudson Blvd Brownsville,
 TX 78526, USA
 Matamoras, Tam. C.P. 87325 Mexico.
 Tel: (52) 868 810 3790
 Fax: (52) 868 810 2723
 www.generaltransmissions.com