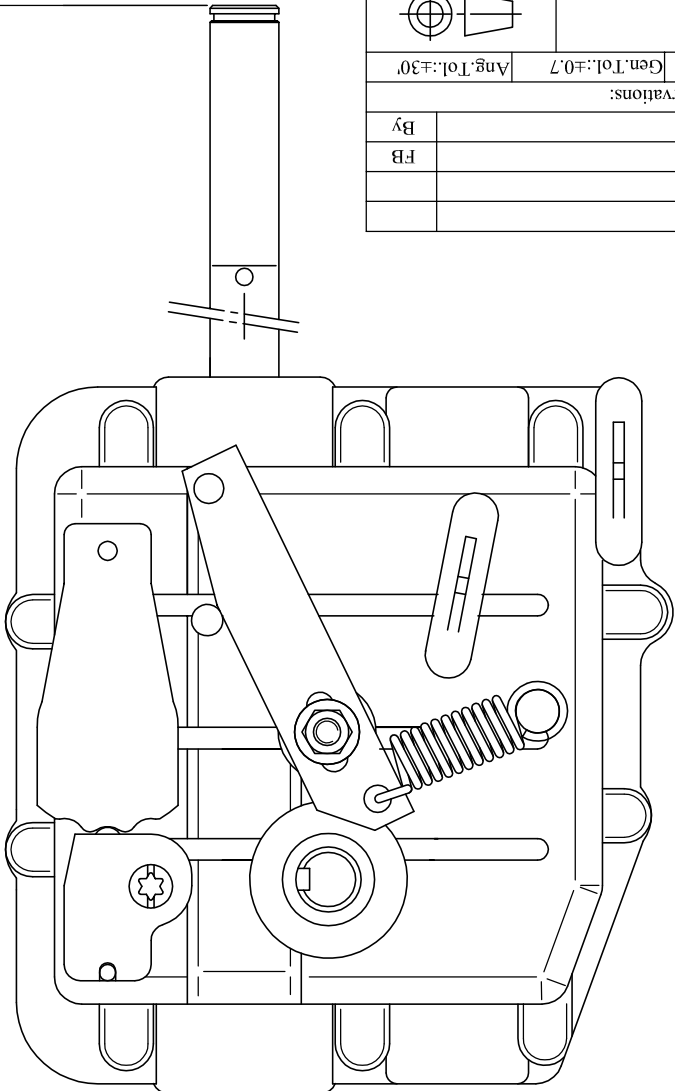
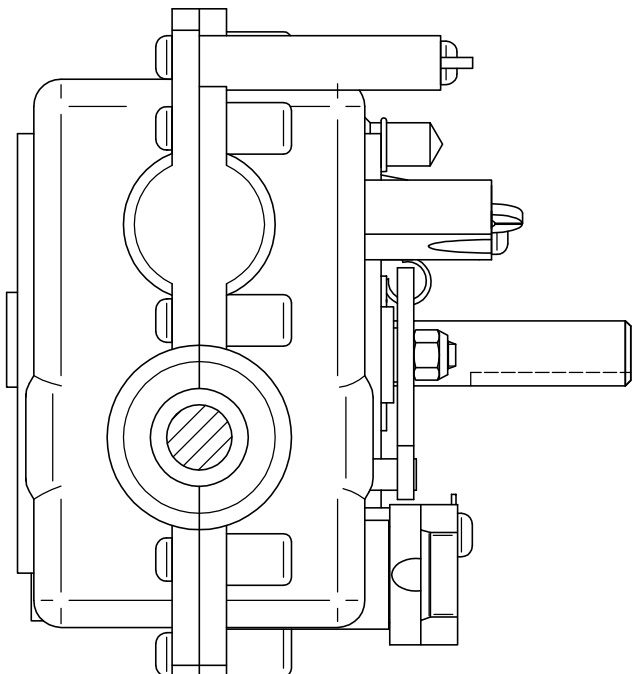
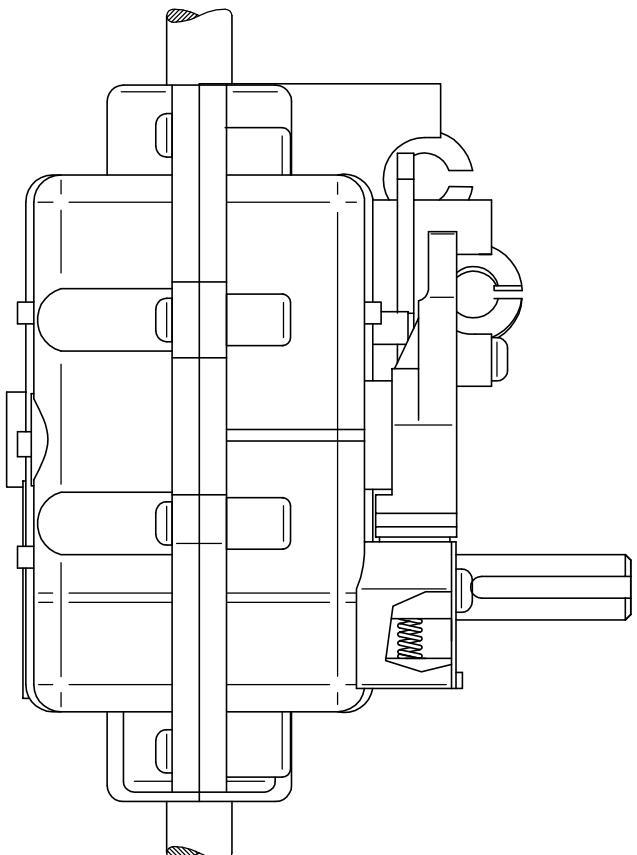


16/01/2018		F	Drawing for Service	By	FB
Date		Rev	Description of Revision		
Weight: 1816 ± 15g		Mat.:		Observations:	
Date: 06/07/1998		Paper size:		Scale: 1:1	
Gen. Tol.: ±0.7		Ang. Tol.: ±30'		Checked by: : Approved by:	
<p>GENERAL TRANSMISSIONS® 2345 Hudson Blvd Brownsville, TX 78526, USA Tel: (1) 956 541 3443 Fax: (1) 956 541 9941 BP 317 - ZI Boits Joly n°4 - Matamoros, Tam. C. P. 87325 Mexico. Ave. Lihones 90 - Zona Industrial - www.generaltransmissions.com</p>					
This document is our property. It can't be used, duplicated or given to third parties without our written authorization.					

Title : BV3-2000 CRARY 12834 Z
 Part N° : GT81007



397.0^{+0.3}