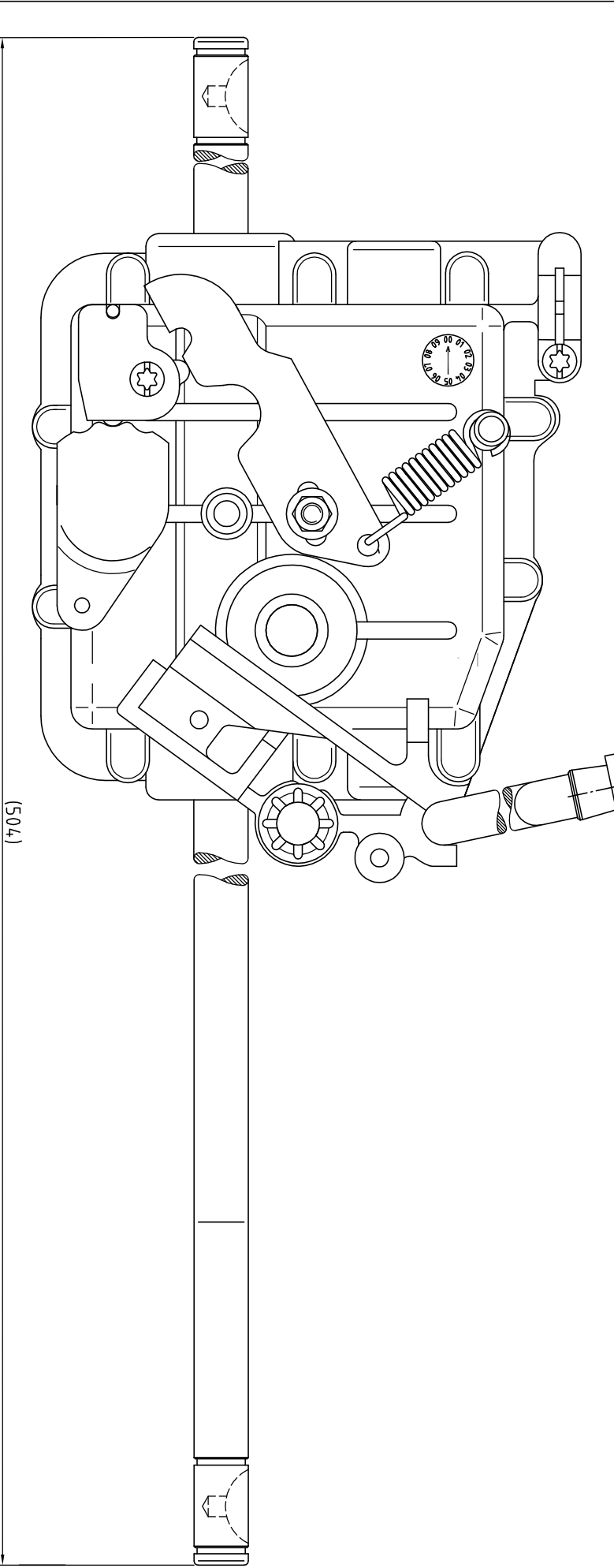
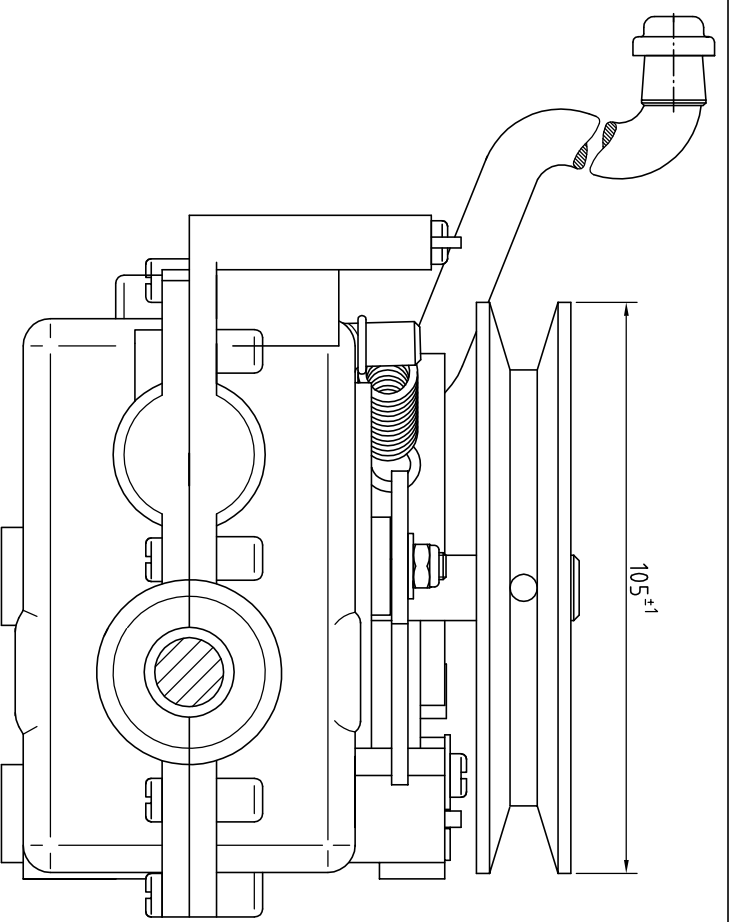
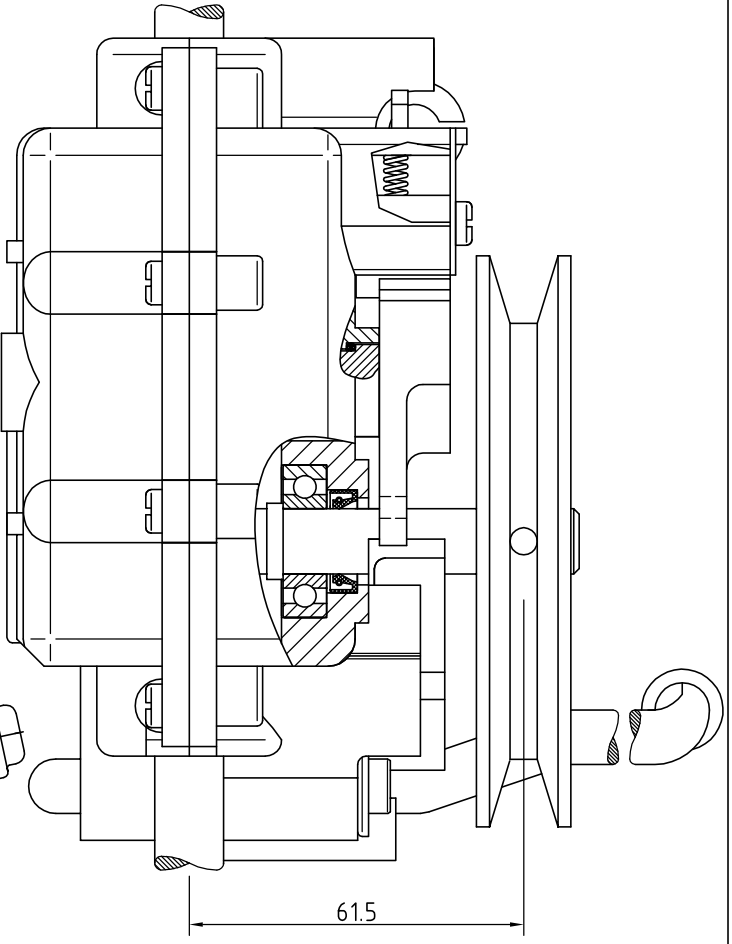


16/01/2018	A	Drawing for Service	By	FB
Date	Rev	Description of Revision		
Weight:	2294 ± 18g	Mat.:	Treat.:	Observations:
Drawn by:	RG	Date:	21/05/1999	Paper size:
		Scale:	1:1	Gen.Tol.:
		Ang.Tol.:	±0.7	
Part N°: GT81046 Title : BV3 2000 HONDA US 20001-VE1-T021-M1				
Checked by : Approved by :				



GENERAL TRANSMISSIONS  
 www.generaltransmissions.com  
 Ave Thomas 90 - Zona Industrial -  
 48303 L'Es Herbes FRANCE  
 TX 78266 USA  
 Tel: (+33) 02 51 66 96 90  
 Fax: (+33) 02 51 66 84 63

This document is our  
 property. It can't be used,  
 duplicated or given to  
 third parties without our  
 written authorization.

