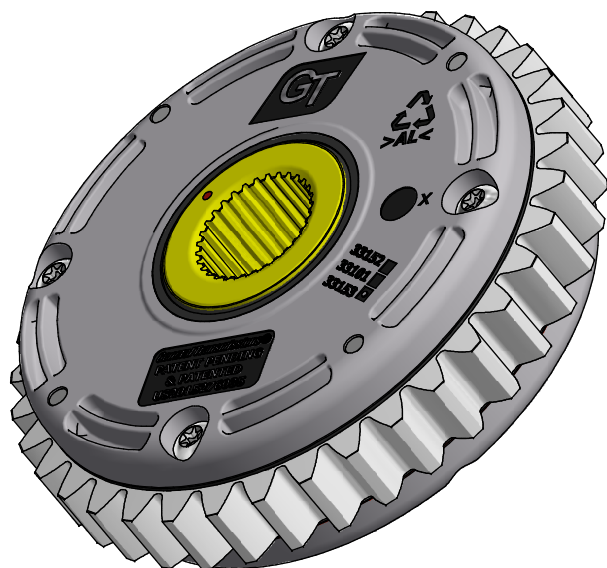
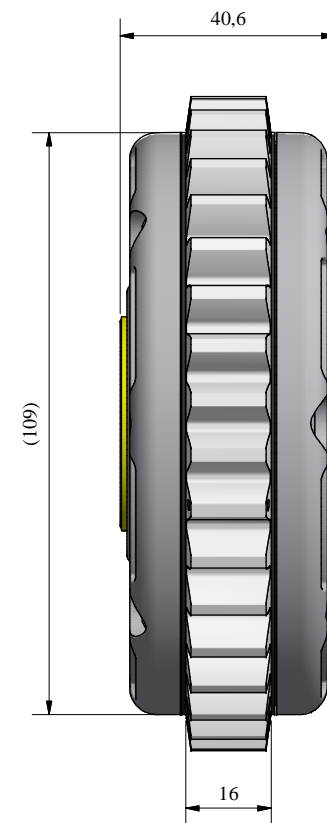
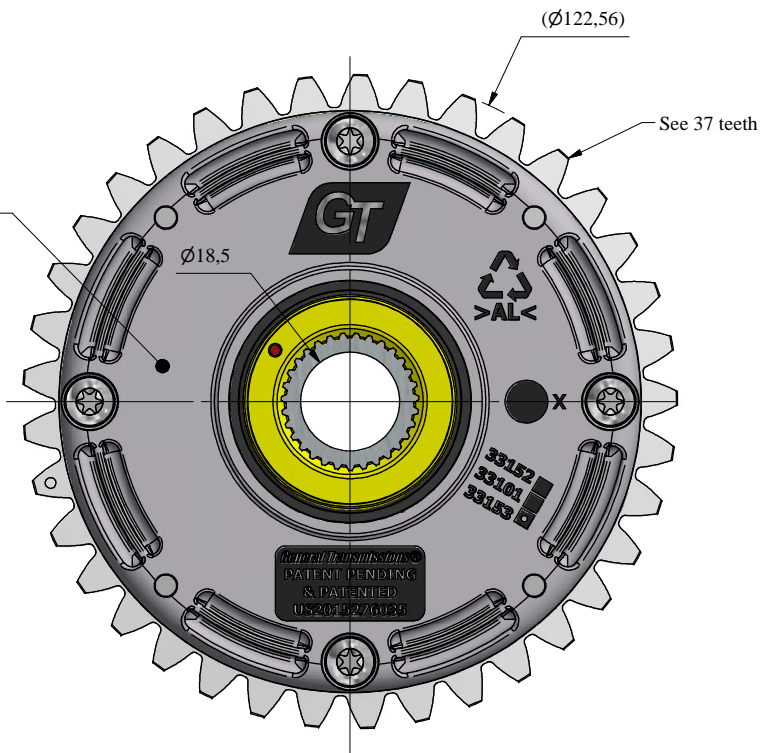


Aluminum parts



06/09/2017	A	Drawing for service part					JR	
Date	Rev	Description of Revision					By	
Weight: 1520 g		Mat.:	Treat.:	Observations:				
Drawn by: JRAMBAUD	Date: 06/09/2017	Paper size: A3	Scale: x/x	Gen.Tol.: 0.7	Ang.Tol.: 2°			
Title : DI 500 Part N°: GT82018								
GENERAL TRANSMISSIONS® www.generaltransmissions.com BP 317 - ZI Bois Joly n°4 - 85503 Les Herbiers FRANCE Tel : (33) 02 51 66 96 30 Fax : (33) 02 51 66 84 63			2345 Hudson Blvd Brownsville, TX 78526, USA Tel: (1) 956 541 3443 Fax: (1) 956 541 9941		Ave.Uniones 90 - Zona Industrial - Matamoros.Tam.C.P.87325 Mexico. Tel: (52) 868 810 3790 Fax: (52) 868 810 2723		This document is our property It can't be used, duplicated or given to third parties without our written authorization	Checked by : Approved by: