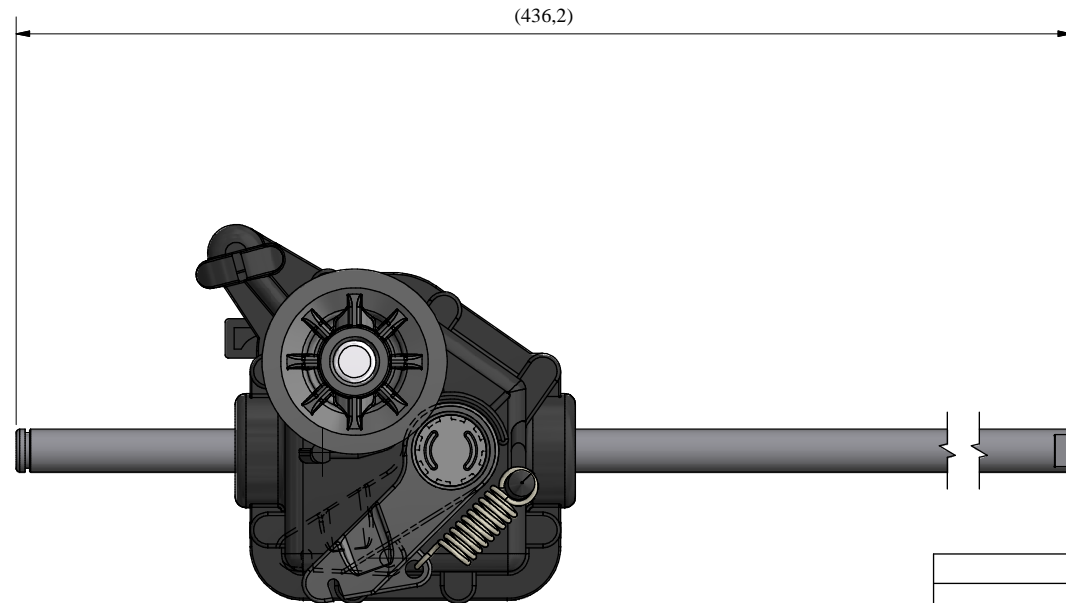


RATIO : 9/1



10/01/2018	D	Drawing for Service					FB
Date	Rev	Description of Revision					By
Weight: 952 ± 7g		Mat.:	Treat.:		Observations:		
Drawn by: Gérard		Date: 12/10/2003	Paper size: A3	Scale: x/x	Gen.Tol.: ±0.7	Ang.Tol.: ±2°	
Title : Réducteur VE2002 EVO GGP SPA 81003077-1							
Part N°: GT84095							
GENERAL TRANSMISSIONS® BP 317 - ZI Bois Joly n°4 - 85503 Les Herbiers FRANCE Tel : (33) 02 51 66 96 30 Fax : (33) 02 51 66 84 63		2345 Hudson Blvd Brownsville, TX 78526. USA Tel: (1) 956 541 3443 Fax: (1) 956 541 9941		Ave.Uniones 90 - Zona Industrial - Matamoros.Tam.C.P.87325 Mexico. Tel: (52) 868 810 3790 Fax: (52) 868 810 2723		This document is our property It can't be used, duplicated or given to third parties without our written authorization Checked by : Approved by:	