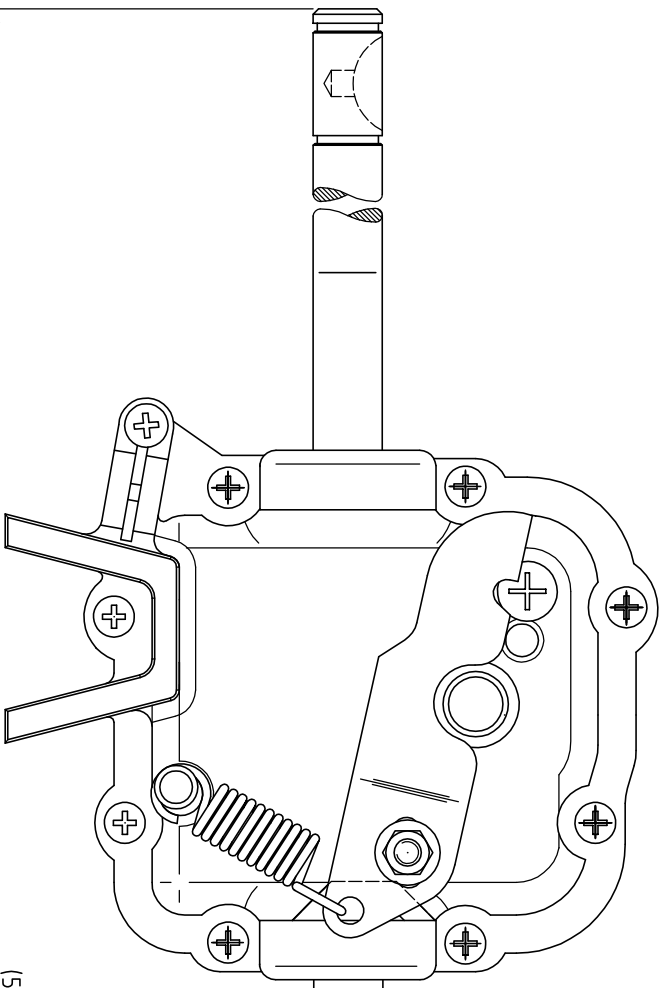
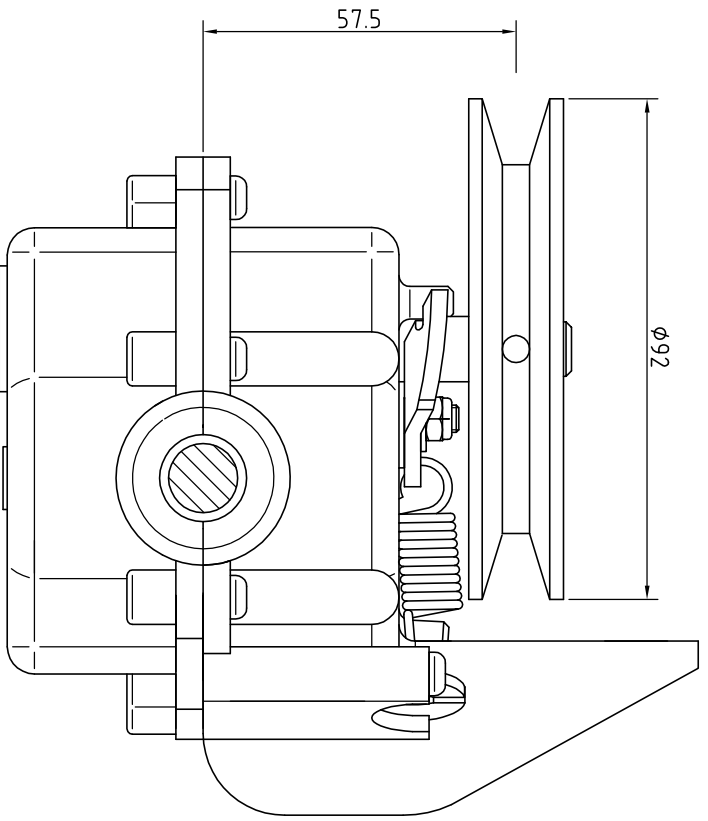
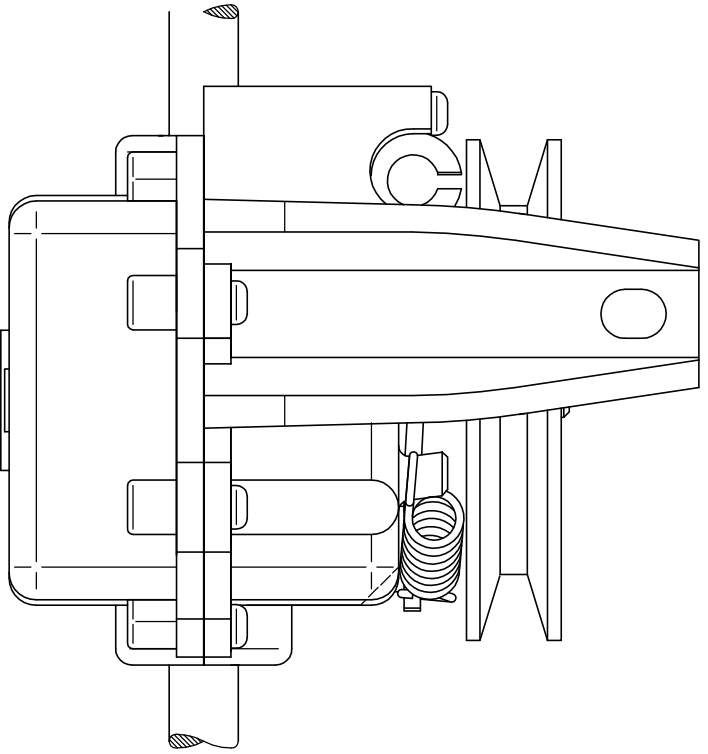


17/01/2018	A	Drawing for Service	FB	
Date	Rev	Description of Revision	By	
Weight:		1411 ± 11g	Mat:	
Date:		06/05/1999	Paper size:	
Scale:		X/X	Gen Tol.:	±0.7
Ang Tol.:				
Title : REDUCTEUR 496 HONDA US 20001-VG3-D025-M1				
Part N° : GT84114				
Checked by : Approved by :				

GENERAL TRANSMISSIONS
 2345 Hudson Blvd Brownsville, TX 78526, USA
 Tel: (33) 02 51 66 96 30 Fax: (33) 02 51 66 84 63
 85503 Le Hérisiers FRANCE
 BP 317 - ZI Bois Joly n°4 - Ave Thomas Lam.C.P.81325 Mexico - Mexique
 Tel: (52) 868 810 2500 Fax: (52) 868 810 2723
 www.generaltransmissions.com
 This document is our property. It can't be used, duplicated or given to third parties without our written authorization.



(504)

Rep	Qté	Designation	code FR	Obs.	Rep	Qté	Designation	code FR	Obs.
10	2	Roulements sup & inf	6001						
9	1	Ressort de rappel	01145	11 spires	20	1	Appui de fourchette	01010	
8	2	Cônes diam 27 ; 10°	01088		19	1	Ecrou frein embase M5	42800	
7	1	Roue dentée Z18 m1.75 10° D	16006	Ø38	17	1	Rondelle snapping	Ø18x2	
6	1	Fourchette	17726		16	1	Vis de remplissage	M6x12	F/9
5	1	Plaque de réaction	14508		15	9	Vis éco-syn Torx	M4x16	
4	1	Axe de commande	01184		14	2	Entretoises de centrage	11004/11005	
3	1	Arbre de sortie	12059		13	1	Goupille élastique 5x35	33707	
2	1	VSF 3 filets D lg. 93	13017.7	Nitral	12	1	Poulie Ø 92	15069	
1	2	Demi carter mod	496 S		11	1	Levier	14031	