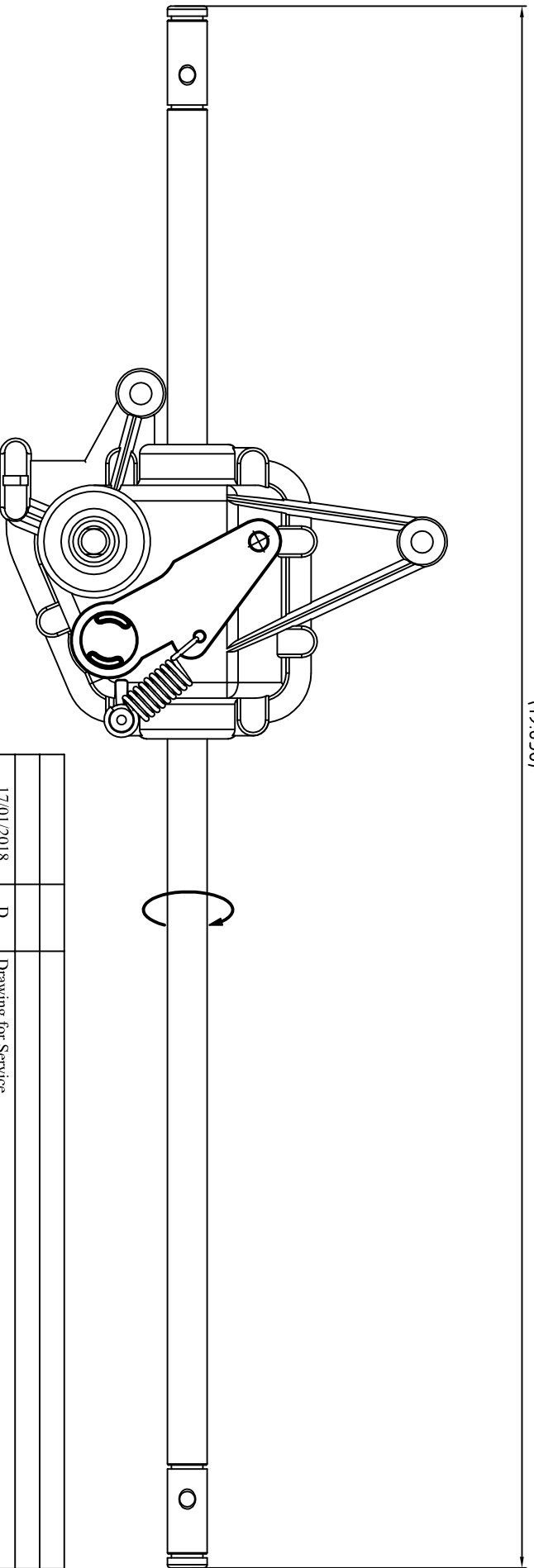


Ratio : 7 : 1

(19.638)



17/01/2018	D	Drawing for Service			
Date	Rev	Description of Revision	Treat.:	Scale: 1:1	Gen.Tol.: ±0.027
Weight: 960 g	Mat.:				Ang.Tol.: ±30°
Drawn by: Gérard	Date: 11/05/2005	Paper size:	Observations:		

Title : Dog Clutch Transmission SNAPPER 7100023  
Part N° : GT84289

**GENERAL TRANSMISSIONS**  
 BP 317 - ZI Bois Joly n°4 - 2345 Hudson Blvd Brownsville, TX 78526, USA  
 88503 Les Herbiers FRANCE Tel: (33) 02 51 66 96 30 Fax: (33) 02 51 66 84 63  
 www.generaltransmissions.com  
 Ave Uniones 90 - Zona Industrial - Matamoros-Tam, C.P. 87325 Mexico  
 Tel: (52) 868 810 3790 Fax: (52) 868 810 2723

This document is our property. It can't be used, duplicated or given to third parties without our written authorization.

Checked by : Approved by:

