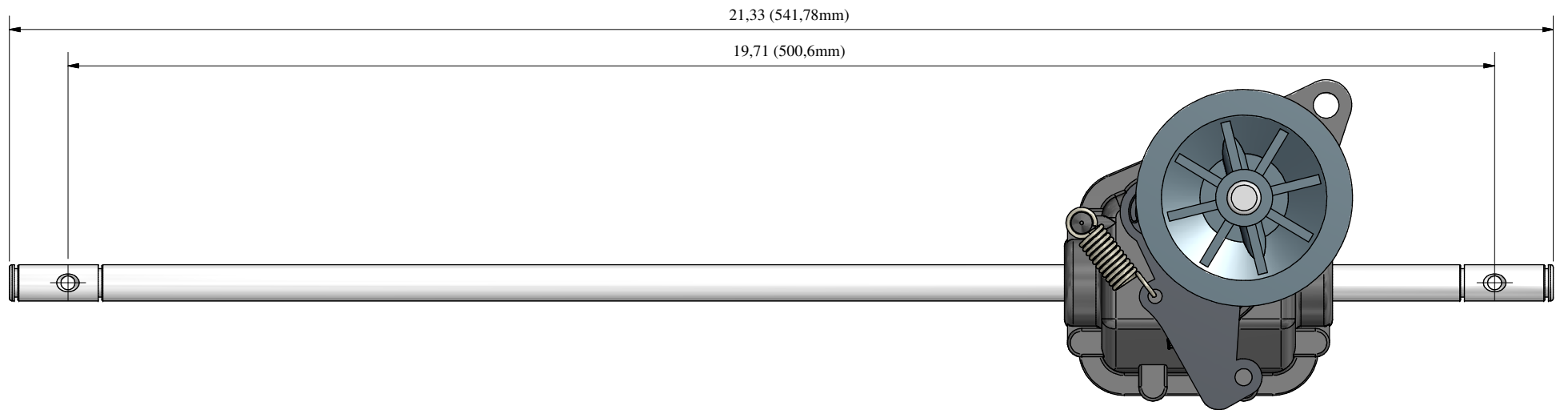
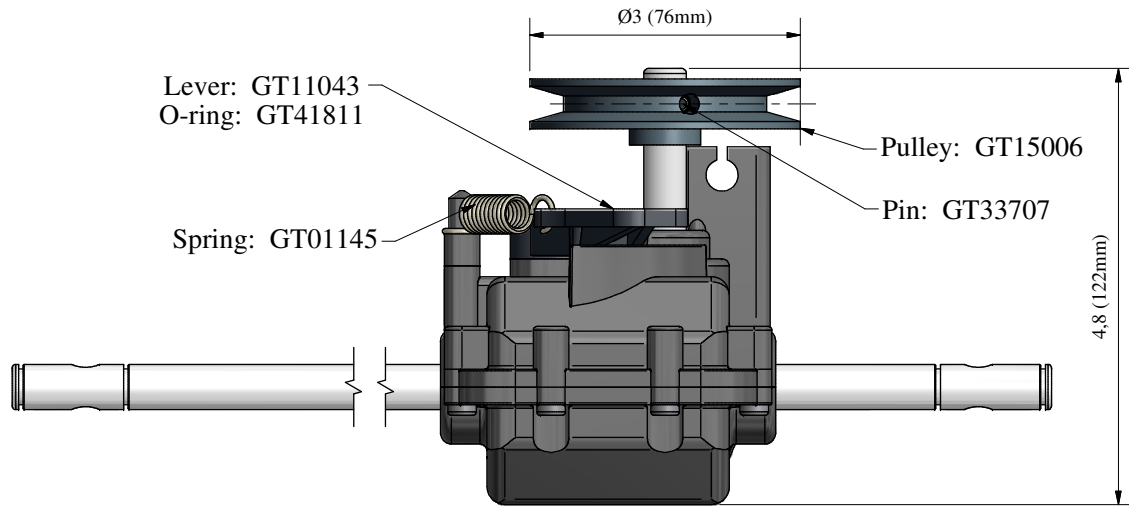


MASS PROD.



26/09/2013	C	Drawing for service part				FB	
Date	Rev	Description of Revision				By	
Weight:		Mat.:		Treat.:		Observations:	
Drawn by:		Date:		Paper size:		Scale:	
				Gen.Tol.:		Ang.Tol.:	
Title : Réducteur crabot Snapper 7101206 B Part N°: GT84352							
GENERAL TRANSMISSIONS® www.generaltransmissions.com				This document is our property It can't be used, duplicated or given to third parties without our written authorization		Checked by : Approved by:	
BP 317 - ZI Bois Joly n°4 - 85503 Les Herbiers FRANCE Tél : (33) 02 51 66 96 30 Fax : (33) 02 51 66 84 63		2345 Hudson Blvd Brownsville, TX 78526, USA Tel: (1) 956 541 3443 Fax: (1) 956 541 9941		Ave.Uniones 90 - Zona Industrial - Matamoros.Tam.C.P.87325 Mexico. Tel: (52) 868 810 3790 Fax: (52) 868 810 2723			