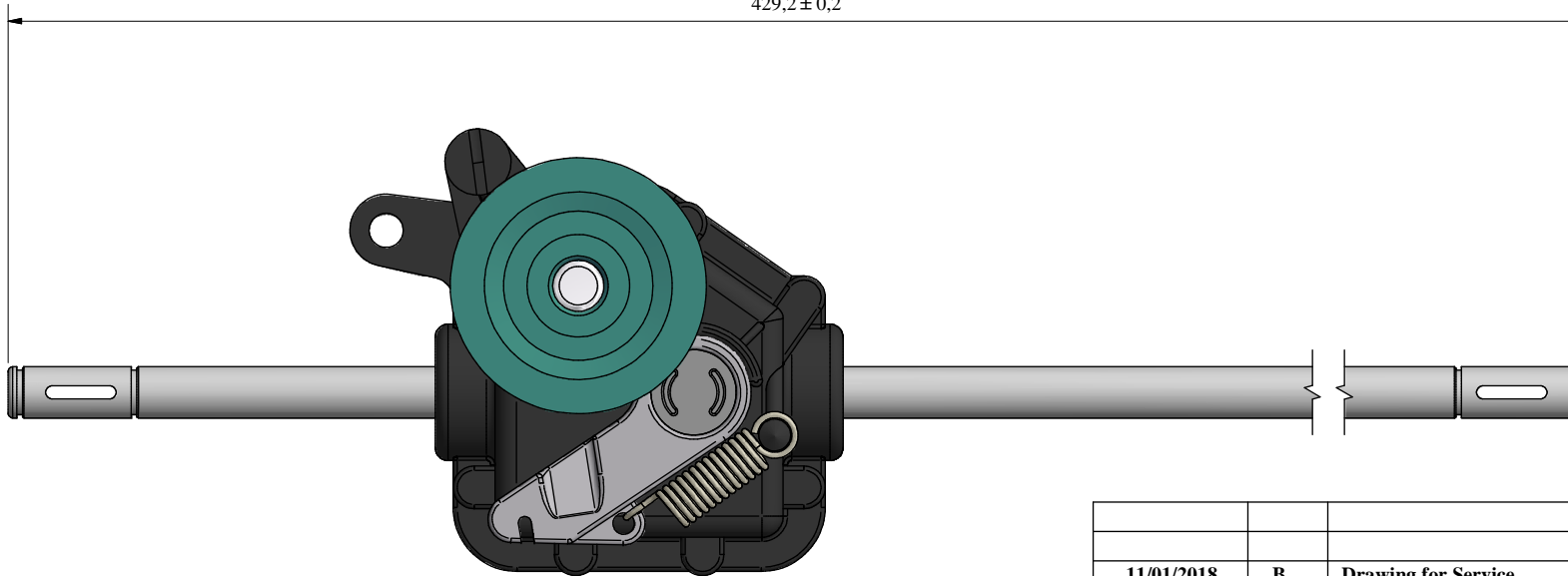


429,2 ± 0,2



Ratio : 1/6

11/01/2018		B		Drawing for Service			FB
Date	Rev	Description of Revision				By	
Weight: 947 ± 6g		Mat.:	Treat.:		Observations:		
Drawn by: gouvrard		Date: 26/10/2008	Paper size: A3	Scale: x/x	Gen.Tol.: ±0.7	Ang.Tol.: ±2°	
Title : Réducteur VE2002 EVO WOLF 1097 065							
Part N°: GT84465							
GENERAL TRANSMISSIONS® BP 317 - ZI Bois Joly n°4 - 85503 Les Herbiers FRANCE Tel : (33) 02 51 66 96 30 Fax : (33) 02 51 66 84 63		2345 Hudson Blvd Brownsville, TX 78526, USA Tel: (1) 956 541 3443 Fax: (1) 956 541 9941		Ave.Uniones 90 - Zona Industrial - Matamoros.Tam.C.P.87325 Mexico. Tel: (52) 868 810 3790 Fax: (52) 868 810 2723		This document is our property It can't be used, duplicated or given to third parties without our written authorization	Checked by : Approved by: