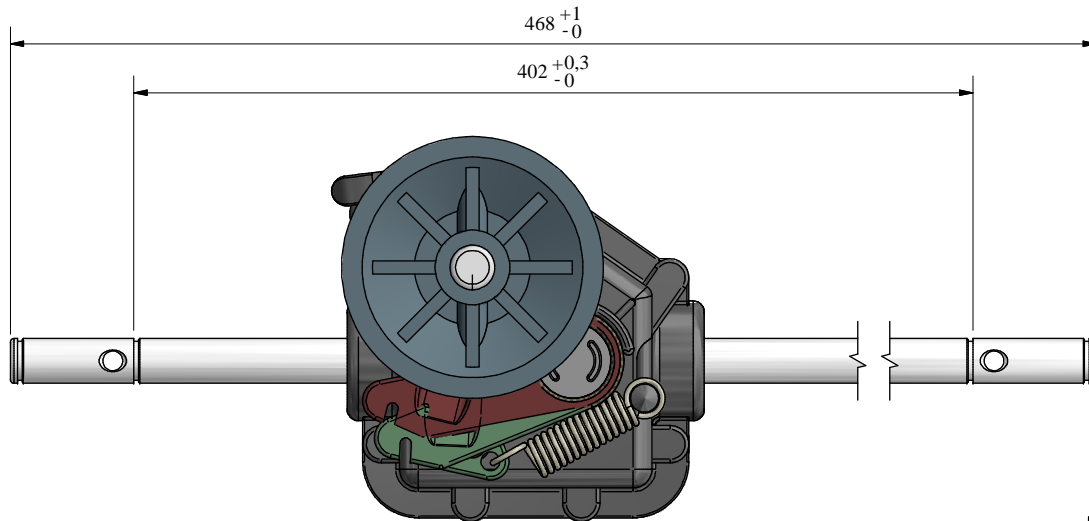
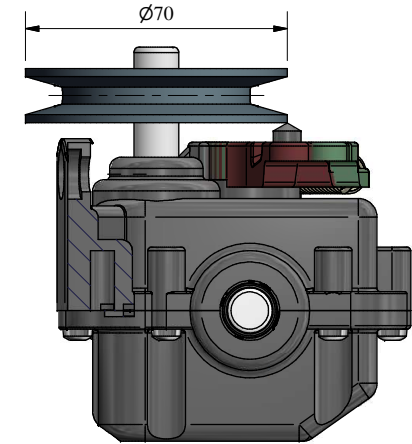


**Ratio : 1/6**



10/01/2018	A	Drawing for Service					FB
Date	Rev	Description of Revision					By
Weight: 989 ±7 g		Mat.:	Treat.:	Observations:			
Drawn by: hblit		Date: 15/10/2014	Paper size: A3	Scale: x/x	Gen.Tol.: ±0.7	Ang.Tol.: ±2°	
<b>Title : Réducteur MC 300 GGP SPA</b> <b>Part N°: GT84955</b>							
<b>GENERAL TRANSMISSIONS®</b> <a href="http://www.generaltransmissions.com">www.generaltransmissions.com</a>				This document is our property It can't be used, duplicated or given to third parties without our written authorization		Checked by :	Approved by:
BP 317 - ZI Bois Joly n°4 - 85503 Les Herbiers FRANCE Tel : (33) 02 51 66 96 30 Fax : (33) 02 51 66 84 63		2345 Hudson Blvd Brownsville, TX 78526. USA Tel: (1) 956 541 3443 Fax: (1) 956 541 9941		Ave.Uniones 90 - Zona Industrial - Matamoros.Tam.C.P.87325 Mexico. Tel: (52) 868 810 3790 Fax: (52) 868 810 2723			