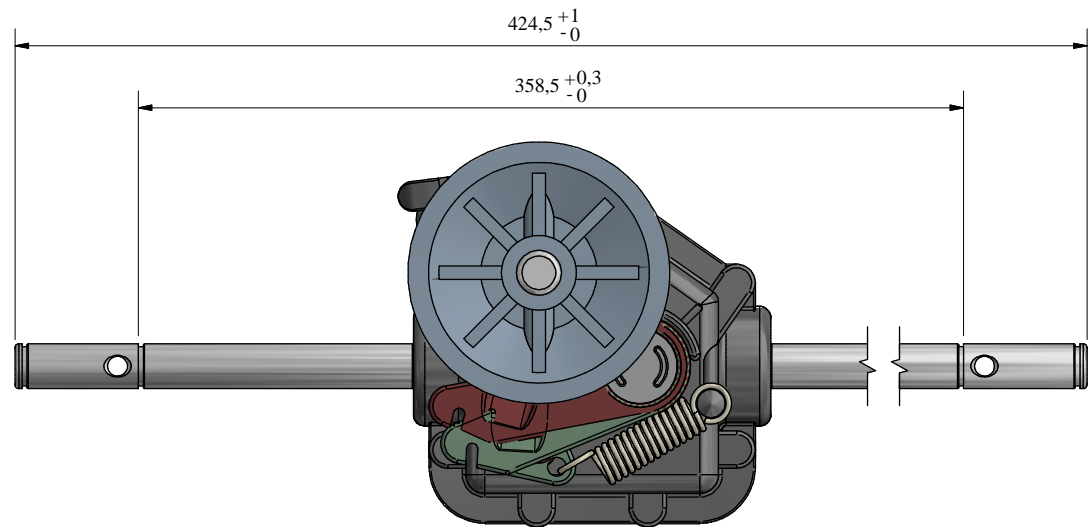
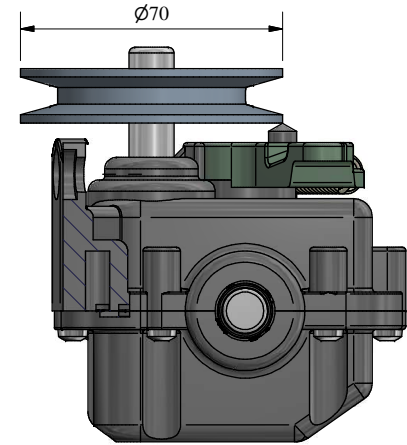


Ratio : 1/6



10/01/2018	A	Drawing for Service					FB
Date	Rev	Description of Revision					By
Weight: 952 ±7 g		Mat.:	Treat.:		Observations:		
Drawn by: hblit		Date: 15/10/2014	Paper size: A3	Scale: x/x	Gen.Tol.: ±0.7	Ang.Tol.: ±2°	
Title : Réducteur MC 300 GGP SPA Part N°: GT84956 Réducteur MC 300 GGP SPA							
GENERAL TRANSMISSIONS® www.generaltransmissions.com				This document is our property It can't be used, duplicated or given to third parties without our written authorization		Checked by : Approved by:	
BP 317 - ZI Bois Joly n°4 - 85503 Les Herbiers FRANCE Tel : (33) 02 51 66 96 30 Fax : (33) 02 51 66 84 63		2345 Hudson Blvd Brownsville, TX 78526, USA Tel: (1) 956 541 3443 Fax: (1) 956 541 9941		Ave.Uniones 90 - Zona Industrial - Matamoros.Tam.C.P.87325 Mexico. Tel: (52) 868 810 3790 Fax: (52) 868 810 2723			