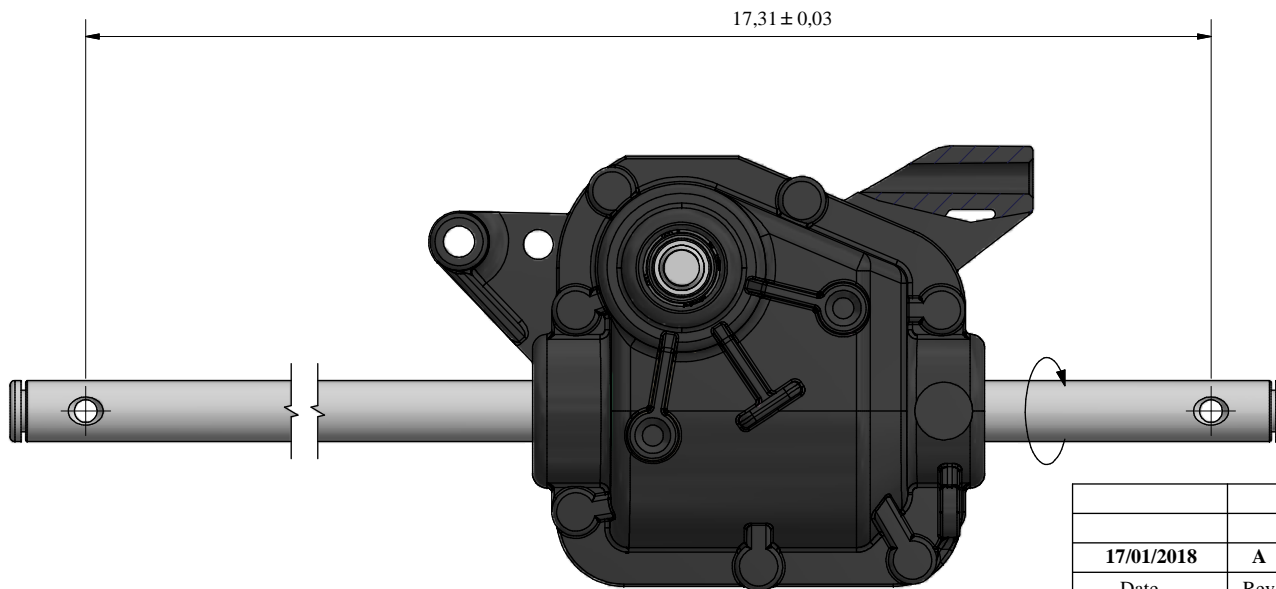
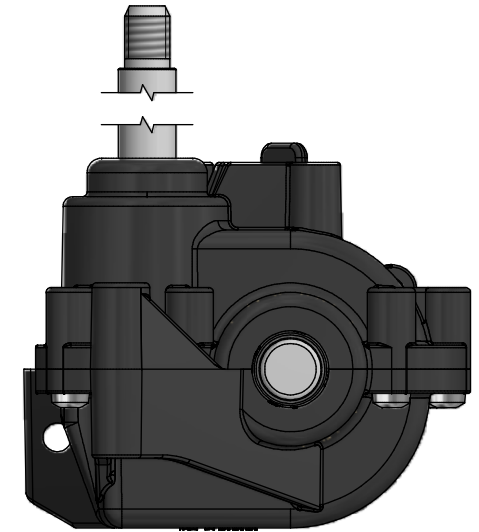


Ratio:7/1



17/01/2018		A	Drawing for Service			FB
Date	Rev	Description of Revision				By
Weight:		Mat.:	Treat.:	Observations:		
Drawn by: hblit		Date: 26/06/2017	Paper size: A3	Scale: x/x	Gen.Tol.: ±0.027	Ang.Tol.: ±30'
Title : REDUCTEUR MA 300 HOP Part N°: GT85270						
GENERAL TRANMISSIONS® www.generaltransmissions.com				This document is our property It can't be used, duplicated or given to third parties without our written authorization		Checked by : Approved by:
BP 317 - ZI Bois Joly n°4 - 85503 Les Herbiers FRANCE Tel : (33) 02 51 66 96 30 Fax : (33) 02 51 66 84 63		2345 Hudson Blvd Brownsville, TX 78526, USA Tel: (1) 956 541 3443 Fax: (1) 956 541 9941		Ave.Uniones 90 - Zona Industrial - Matamoros.Tam.C.P.87325 Mexico. Tel: (52) 868 810 3790 Fax: (52) 868 810 2723		