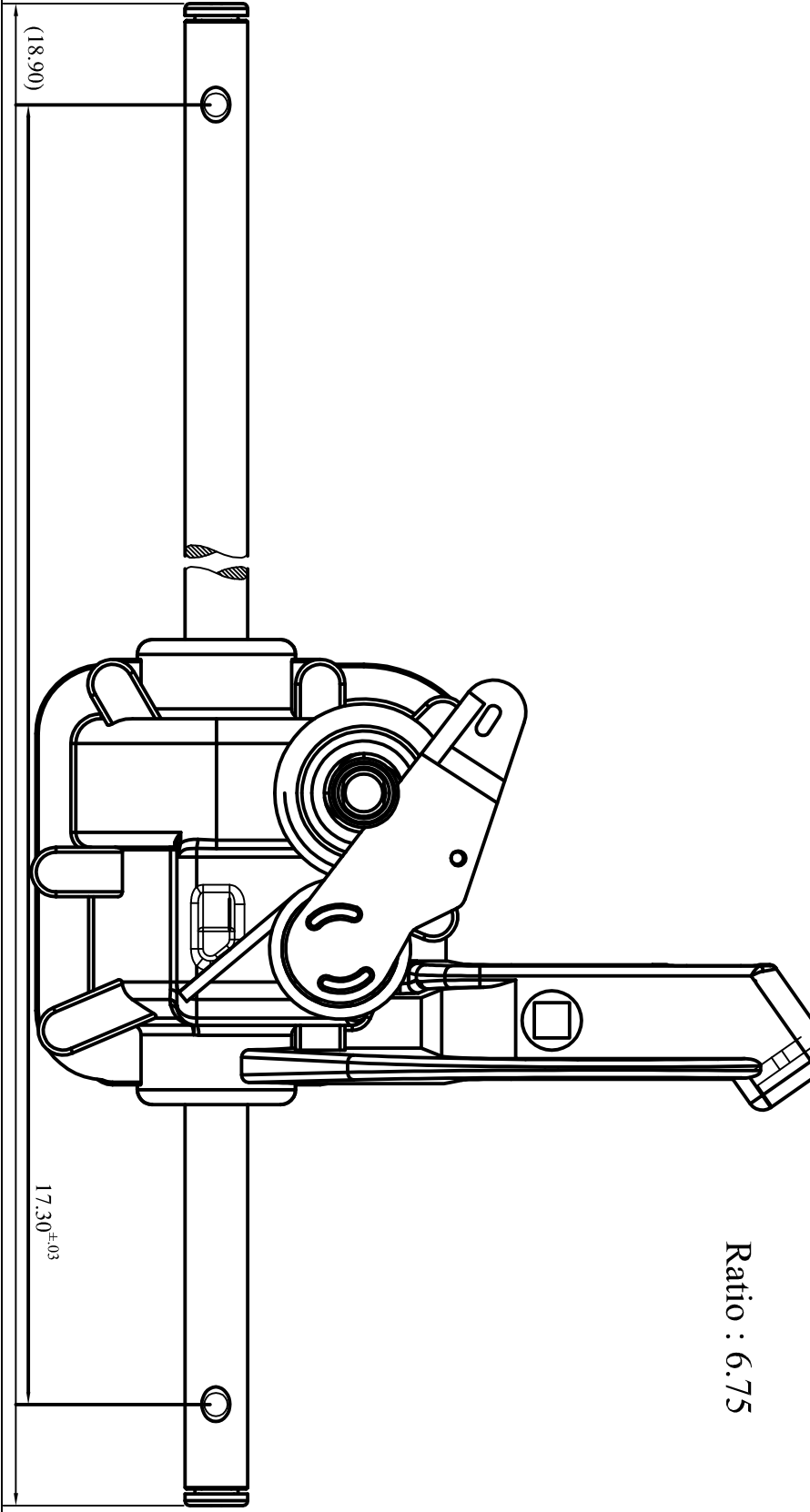


Ratio : 6.75

16/01/2018		E		Drawing for Service		FB	
Date		Rcv		Description of Revision		By	
Weight:		Mat:		Treat:		Observations:	
Drawn by: Partice		Date: 27/05/2004		Paper size:		Scale: 1:1	
Title : 194935		Part N°: GT194935		Ang. Tol.: ±.30		Gen. Tol.: ±0.27	



www.generaltransmissions.com  
 2345 Hudson Blvd Brownsville, TX 78526, USA  
 Tel: (956) 541 3443  
 Fax: (956) 541 9941  
 BP 317 - ZI Bois Joyeux - 85503 Les Herbiers FRANCE  
 Tel: (33) 02 51 66 96 30  
 Fax: (33) 02 51 66 84 63  
 www.generaltransmissions.com  
 Ave. Linnos 90 - Zona Industrial - Matamoros, Tam. C.P. 87325 Mexico.  
 Tel: (52) 868 810 3790  
 Fax: (52) 868 810 2723  
 This document is our property. It can't be used, duplicated or given to third parties without our written authorization.