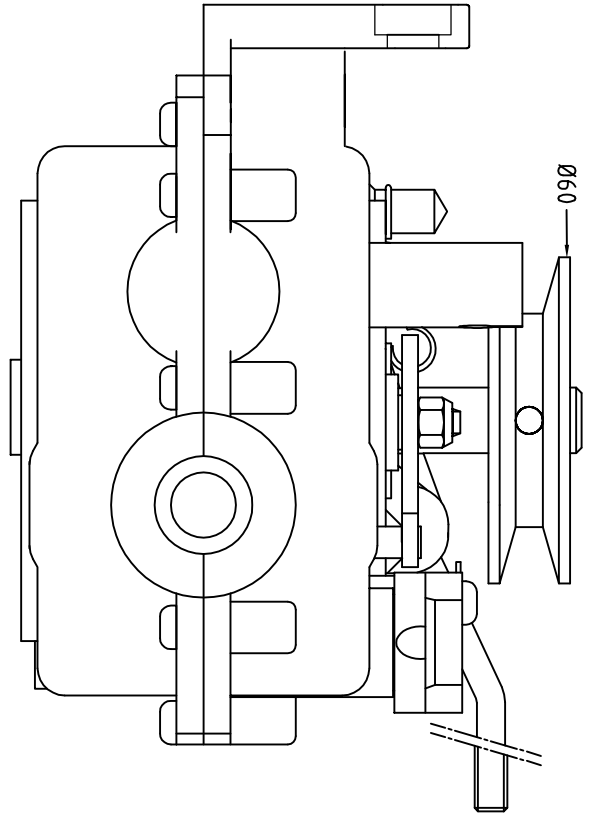
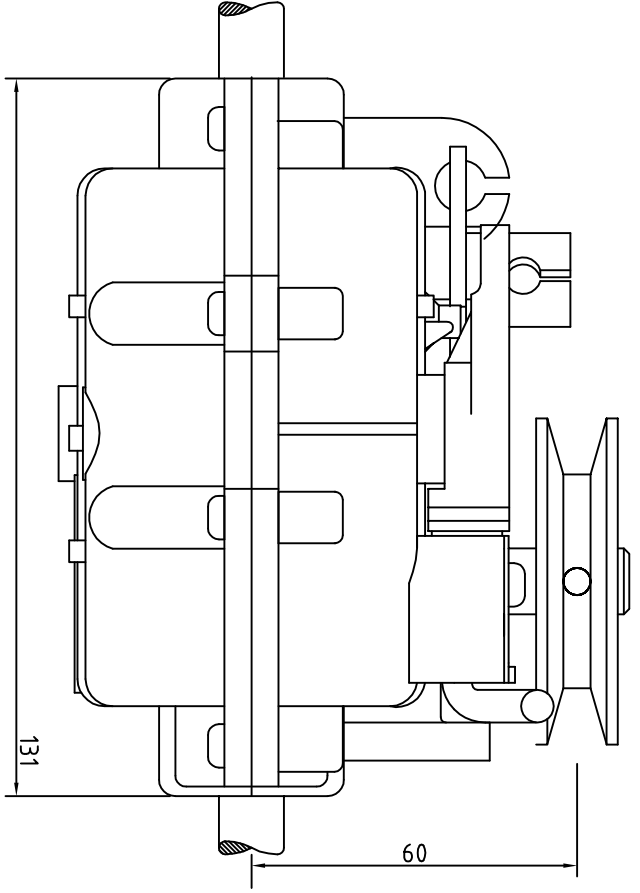


10/02/14		A	Drawing for service part	By	Fb
Date		Rev	Description of Revision		
Weight:		Mat:	Treat:	Observations:	
Drawn by: Cézar		Date: 23/10/2003	Paper size:	Scale: 1:1	Gen.Tol.: ±0.7
Title: BV3 2000 - GGP SPA 8100 3080 / 0		Part N°: GT81028		Checked by: Approved by:	

www.generaltransmissions.com
 2345 Hudson Blvd Brownsville, Tx 78526, USA
 Miamoros, Tamm, C.P. 87325 Mexico, Ave. Linares 90 - Zona Industrial -
 85303 Leas Highlands FRANCE
 Tel: (33) 02 51 66 96 30
 Fax: (33) 02 51 66 84 63
 Tel: (1) 956 541 1443
 Fax: (2) 868 810 2723
 This document is our property. It can't be used, duplicated or given to third parties without our written authorization.



MASS PROD

