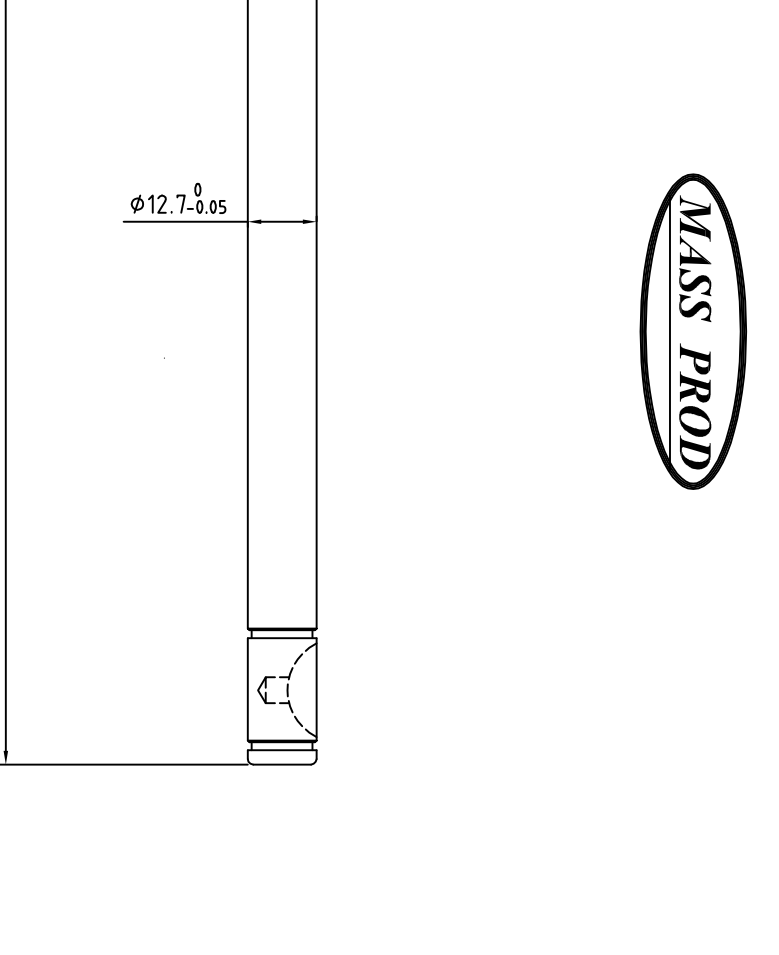
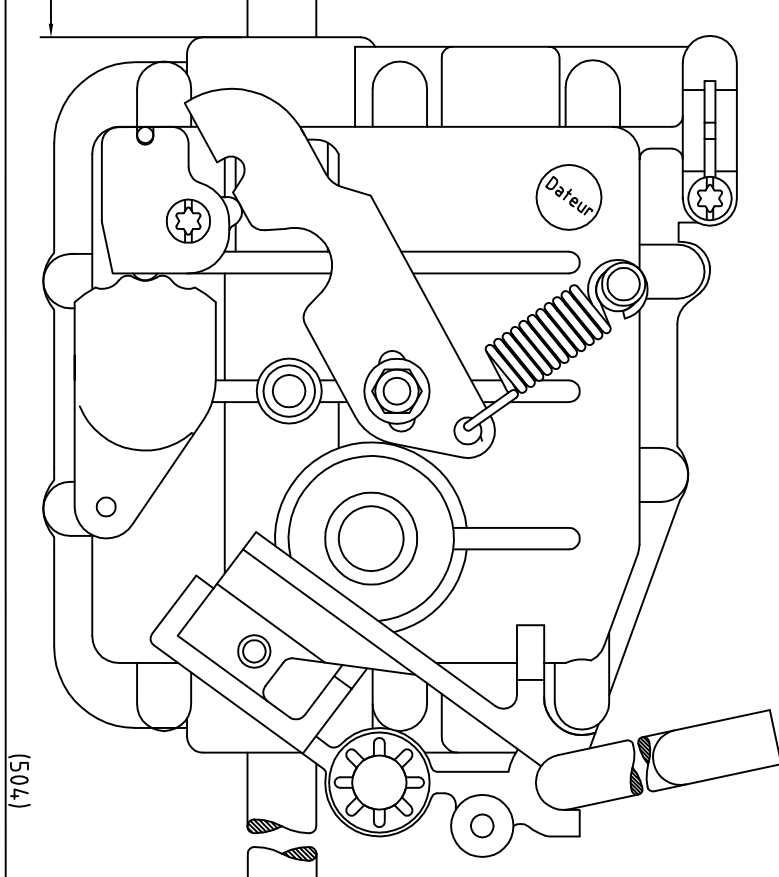
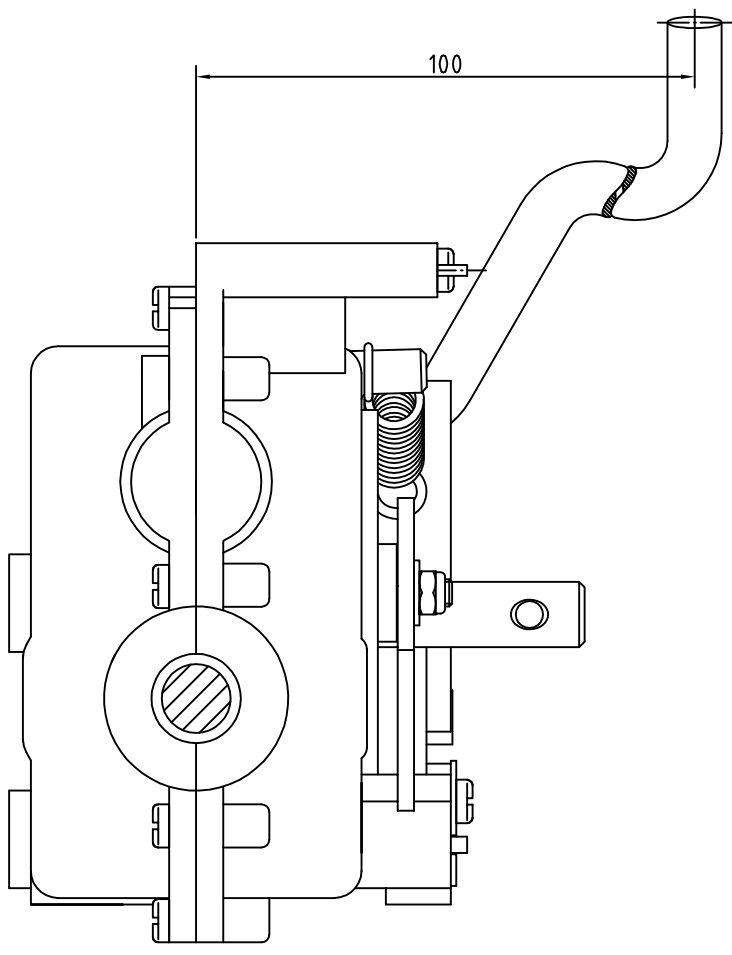
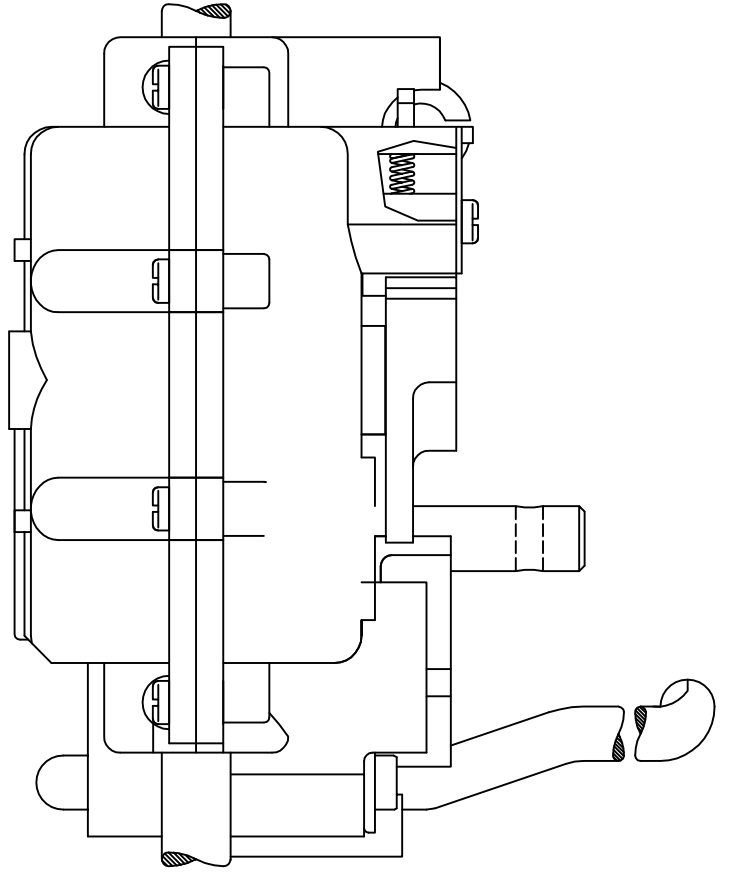


10/02/2014	C	Drawing for service part	FB
	Rev	Description of Revision	By
Weight:			
Mat.:			
Treat.:			
Observations:			
Date: 21/05/99		Paper size:	Scale: x/x
Drawn by: RG		Gen. Tol.: ±0.7	Ang. Tol.: ±30'
Title: BV3 2000 HONDA 2001 - VFO - E522 - M1 Part No: GT81047			
Checked by: Approved by:			

GENERAL TRANSMISSIONS®
 2345 Hudson Blvd Brownsville,
 Ave. Lomas 90 - Zona Industrial -
 Matamoros, Tam. C. P. 87325 Mexico.
 TX 78256, USA
 Tel: (1) 956 541 3443
 Fax: (1) 956 541 9641
 E-mail: (32) 02 51 66 84 63
 www.generaltransmissions.com
 This document is our
 property. It can't be used,
 duplicated or given to
 third parties without our
 written authorization.



MASS PROD

78

(504)

$\phi 12.7^{0}_{-0.05}$