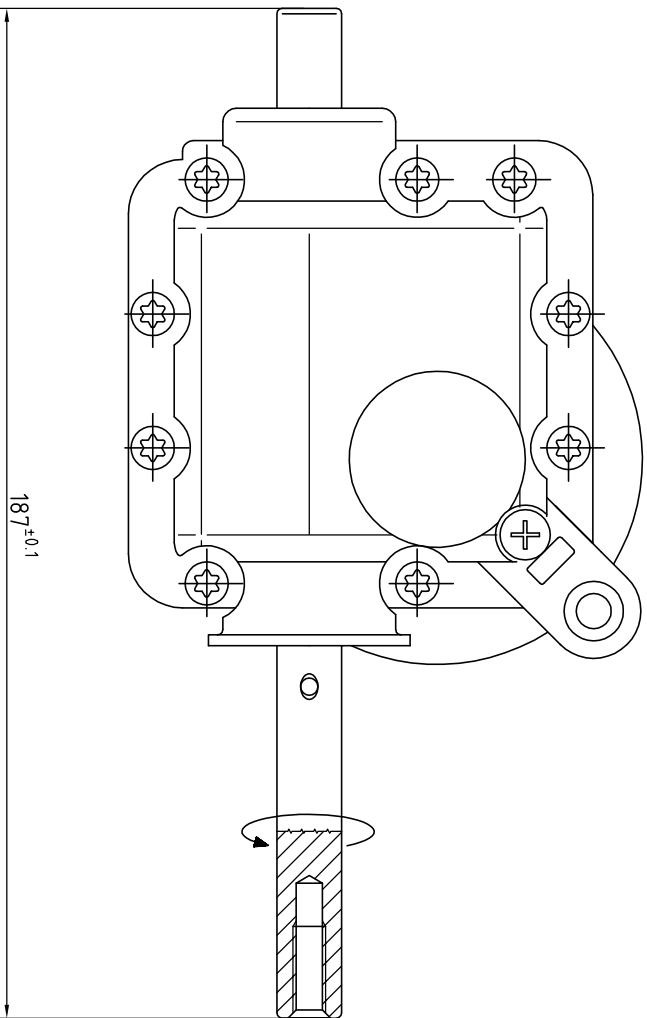


RATIO 1:7



16/01/2018	B	Drawing for Service		FB
Date	Rev	Description of Revision		By
Weight:	Mat.:	Treat.:	Observations:	
Drawn by: GO	Date: 29/05/2002	Paper size:	Scale: x/x	Gen. Tol.: ±0.7
				Ang. Tol.: ±30'

Title : REDUCTEUR R.A.R ROVER 02010640 / 618-06036
Part N°: GT84001

GENERAL TRANSMISSIONS®
BP 317 - ZI Bois Joly n°4 - 2345 Hudson Blvd. Brownsville, TX 78526, USA
85503 Les Herbiers FRANCE
Tel: (33) 02 51 66 96 30
Fax: (33) 02 51 66 84 63

GENERAL TRANSMISSIONS®
www.generaltransmissions.com
3443 Mahanous, Tam, C.P. 87325 Mexico
Tel: (52) 868 810 3790
Fax: (52) 868 810 2723

This document is our property. It can't be used, duplicated or given to third parties without our written authorization.

Checked by : Approved by:

