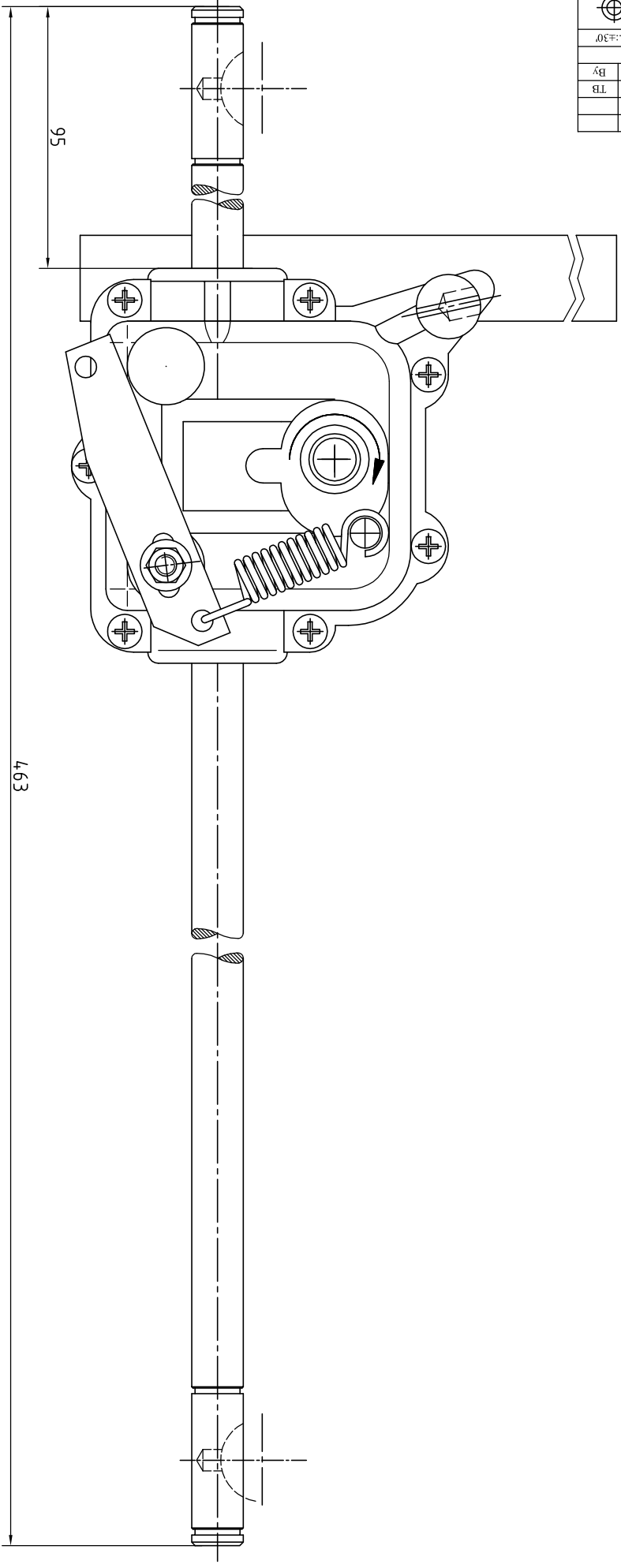
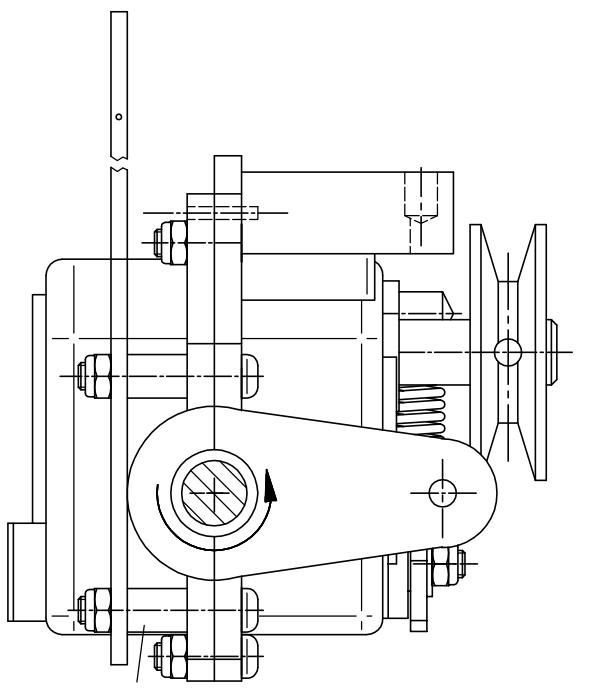
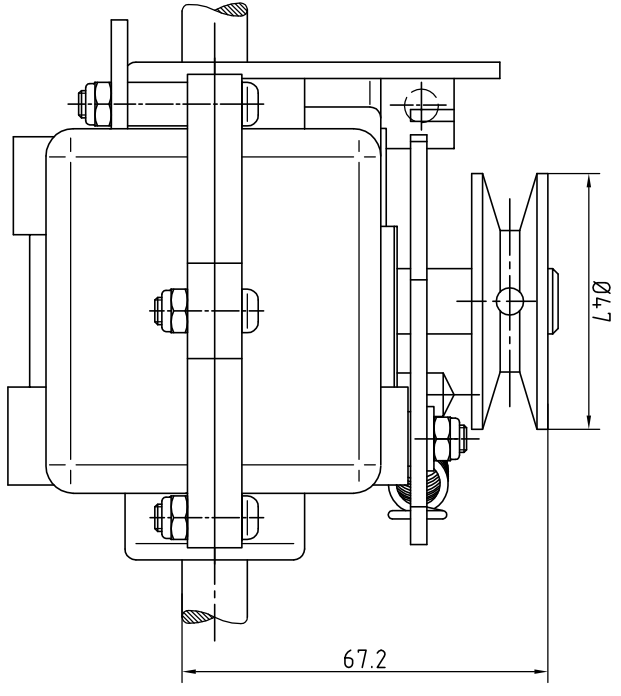


13/06/2019		Date	
A2		Rev	
Drawing for customer service		Description of Revision	
By		Mat:	
Weight:		Date: 17/09/1996	
Drawn by: GO		Paper size:	
		Scale: x/x	
		Gen. Tol.: ±0.7	
		Ang. Tol.: ±30'	
Title : REDUCTEUR 005 HONDA 20001 VE0 8510 M1 Part No : GT84196			
This document is our property. It can't be used, duplicated or given to third parties without our written authorization.			
Checked by : Approved by :			



GENERAL TRANSMISSIONS
 2345 Hudson Blvd Brownsville, TX 78526 USA
 Tel: (1) 956 541 3443 Fax: (1) 956 541 9941
 Marmaros Tam.C.P.87325 Mexico, Tel: (52) 868 810 2790 Fax: (52) 868 810 2723
 www.generaltransmissions.com