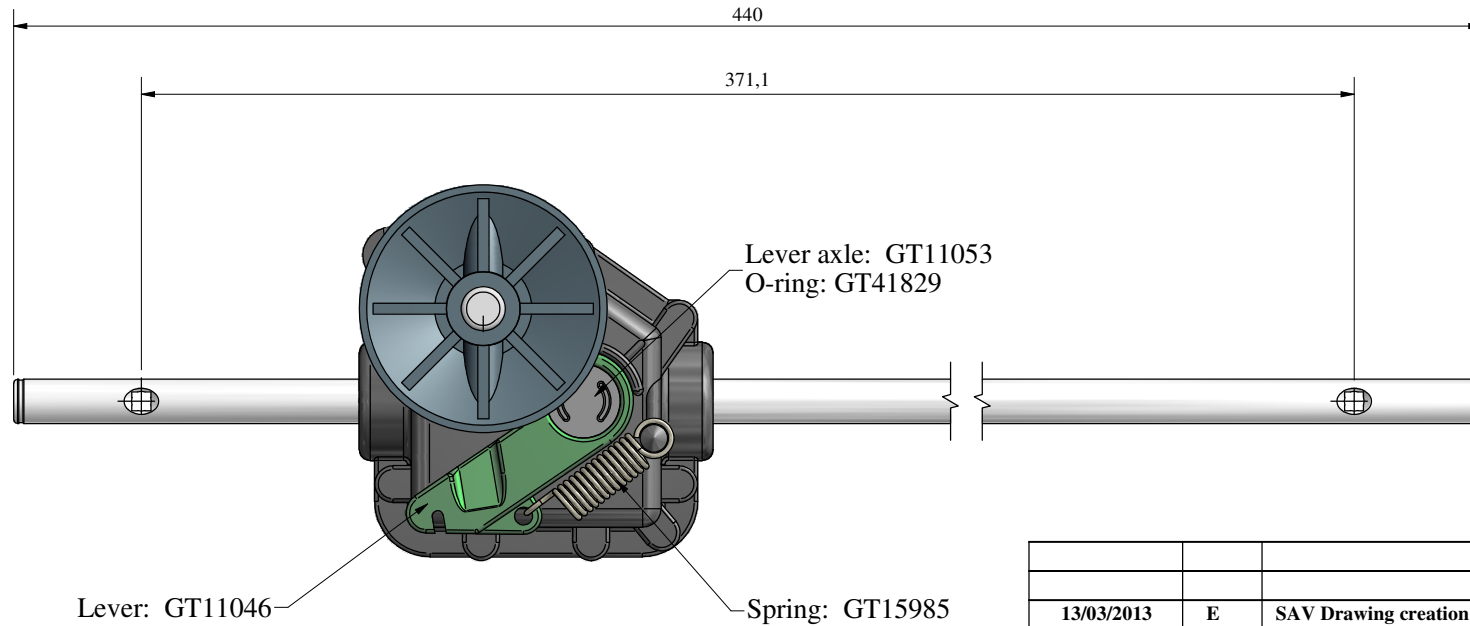
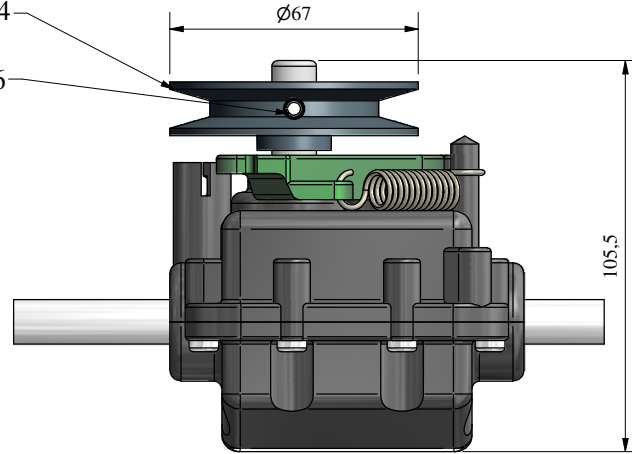


Pulley: GT15004

Pin: GT33706



Lever: GT11046

Lever axle: GT11053  
O-ring: GT41829

Spring: GT15985

13/03/2013		E	SAV Drawing creation		FB
Date	Rev	Description of Revision			By
Weight:		Mat.:	Treat.:	Observations:	
Drawn by:	Date:	Paper size:	Scale:	Gen.Tol.:	Ang.Tol.:
<b>Title : Réducteur VE2002 EVO VIKING 6360-640-0100-A</b> <b>Part N°: GT84213</b>					
<b>GENERAL TRANSMISSIONS®</b> www.generaltransmissions.com BP 317 - ZI Bois Joly n°4 - 2345 Hudson Blvd Brownsville, Ave.Uniones 90 - Zona Industrial - 85503 Les Herbiers FRANCE TX 78526. USA Matamoros.Tam.C.P.87325 Mexico. Tél : (33) 02 51 66 96 30 Tel: (1) 956 541 3443 Tel: (52) 868 810 3790 Fax : (33) 02 51 66 84 63 Fax: (1) 956 541 9941 Fax: (52) 868 810 2723			This document is our property It can't be used, duplicated or given to third parties without our written authorization		Checked by : Approved by: