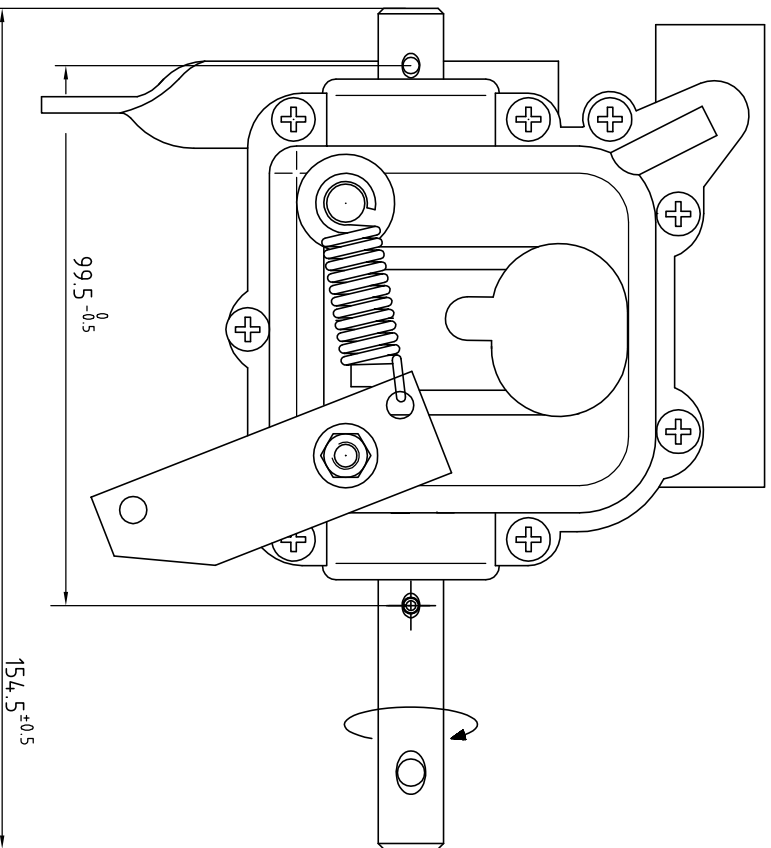
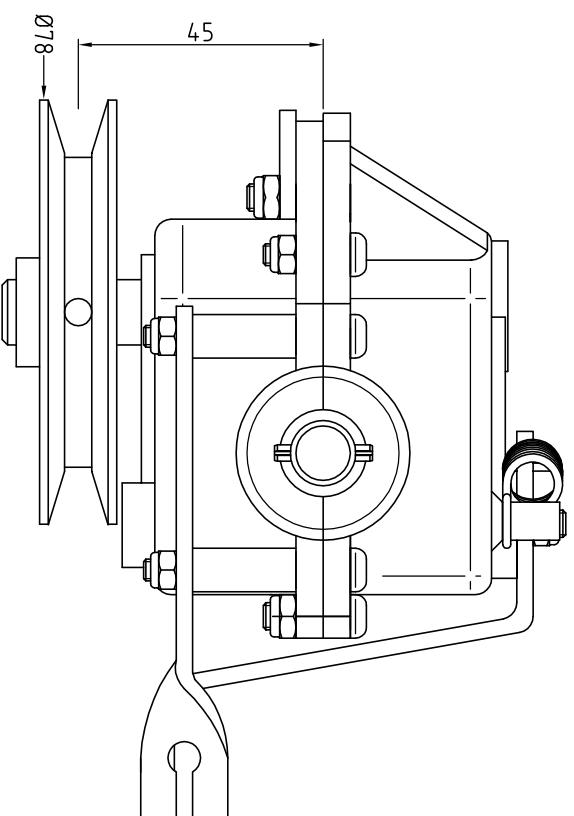


Ratio : 1/9



17/01/2018	B	Drawing for Service							
Date	Rev	Description of Revision	Treat.:	Paper size:	Scale: x/x	Gen.Tol.:±0.7	Ang.Tol.:±2°		
Weight: 974 ± 7g	Mat.:								
Drawn by: RG	Date: 12/03/1998								

Title : REDUCTEUR 005 SQ HONDA - 2000A-VG8-8510-M1  
 Part N° : GT84286

**GENERAL TRANSMISSIONS**  
 BP 317 - ZI Bois Joly n°4 - 2345 Hudson Blvd Brownsville, TX 78526, USA  
 85503 Les Herbiers FRANCE  
 Tel: (33) 02 51 66 96 30  
 Fax: (33) 02 51 66 84 63

**GENERAL TRANSMISSIONS**  
 www.generaltransmissions.com  
 Avc Lintones 90 - Zona Industrial - Matamoros Tam, C.P. 87325 Mexico  
 Tel: (52) 868 810 3443  
 Fax: (52) 868 810 2723

This document is our property. It can't be used, duplicated or given to third parties without our written authorization

Checked by : Approved by:

