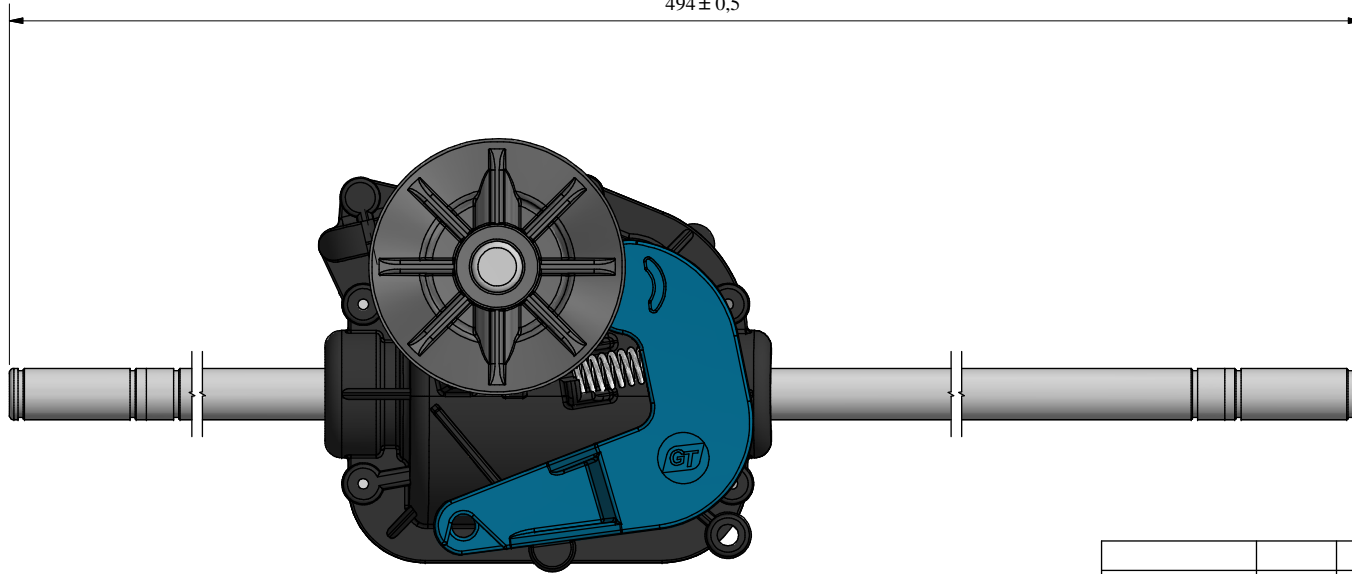


*Ratio: 7/1*

494 ± 0,5



15/01/2018	A	Drawing for Service					FB
Date	Rev	Description of Revision					By
Weight:		Mat.:		Treat.:		Observations:	
Drawn by: rrousselot		Date: 29/04/2013		Paper size: A3	Scale: x/x	Gen.Tol.: ±0.7	Ang.Tol.: ±2°
Title : MD 310 NGP - S511VH - 70860240 Part N°: GT84802							
<b>GENERAL TRANSMISSIONS®</b> <a href="http://www.generaltransmissions.com">www.generaltransmissions.com</a> BP 317 - ZI Bois Joly n°4 - 85503 Les Herbiers FRANCE Tel : (33) 02 51 66 96 30 Fax : (33) 02 51 66 84 63				2345 Hudson Blvd Brownsville, TX 78526, USA Tel: (1) 956 541 3443 Fax: (1) 956 541 9941		Ave.Uniones 90 - Zona Industrial - Matamoros.Tam.C.P.87325 Mexico. Tel: (52) 868 810 3790 Fax: (52) 868 810 2723	
This document is our property It can't be used, duplicated or given to third parties without our written authorization						Checked by :	Approved by: