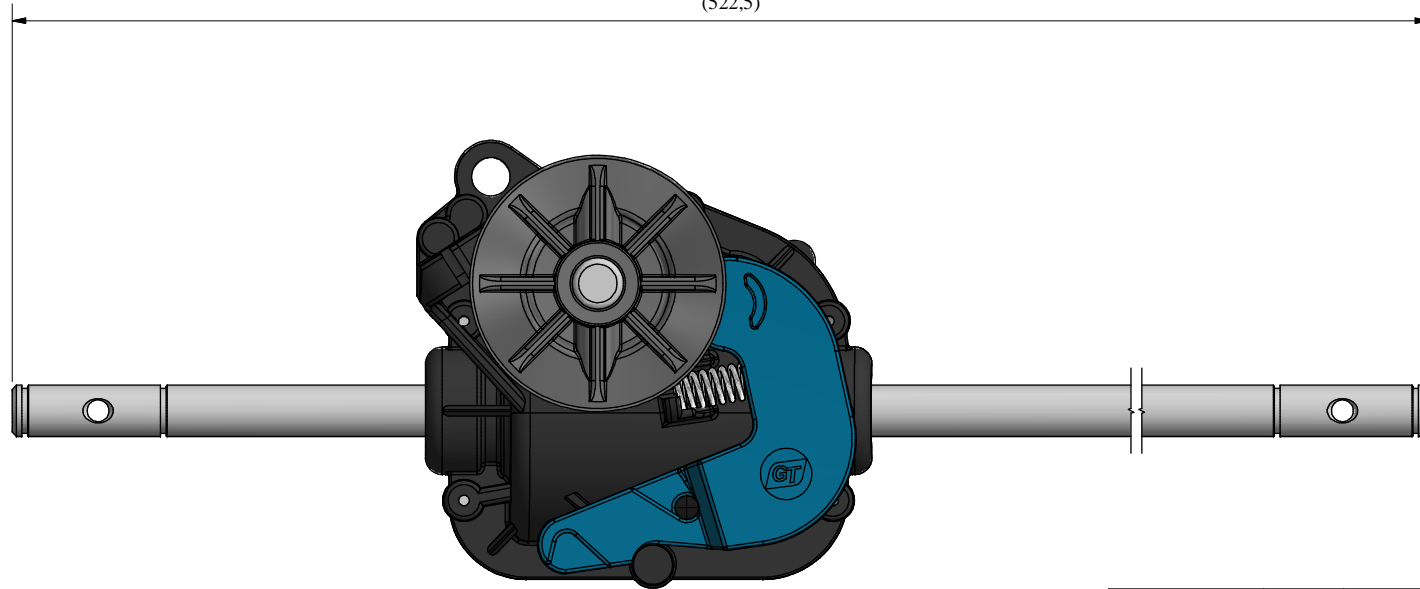


Ratio: 9/1

(522,5)



15/01/2018	A	Drawing for Service					FB
Date	Rev	Description of Revision					By
Weight:		Mat.:		Treat.:		Observations:	
Drawn by: yrichard		Date: 14/05/2013		Paper size: A3	Scale: x/x	Gen.Tol.: ±0.7	Ang.Tol.: ±2°
Title : MD 310 SUMEC - 974905 Part N°: GT84814							
GENERAL TRANSMISSIONS® www.generaltransmissions.com BP 317 - ZI Bois Joly n°4 - 85503 Les Herbiers FRANCE 2345 Hudson Blvd Brownsville, TX 78526, USA Tel: (33) 02 51 66 96 30 Fax: (33) 02 51 66 84 63						Ave.Uniones 90 - Zona Industrial - Matamoros.Tam.C.P.87325 Mexico. Tel: (52) 868 810 3790 Fax: (52) 868 810 2723	This document is our property It can't be used, duplicated or given to third parties without our written authorization
Checked by :						Approved by:	