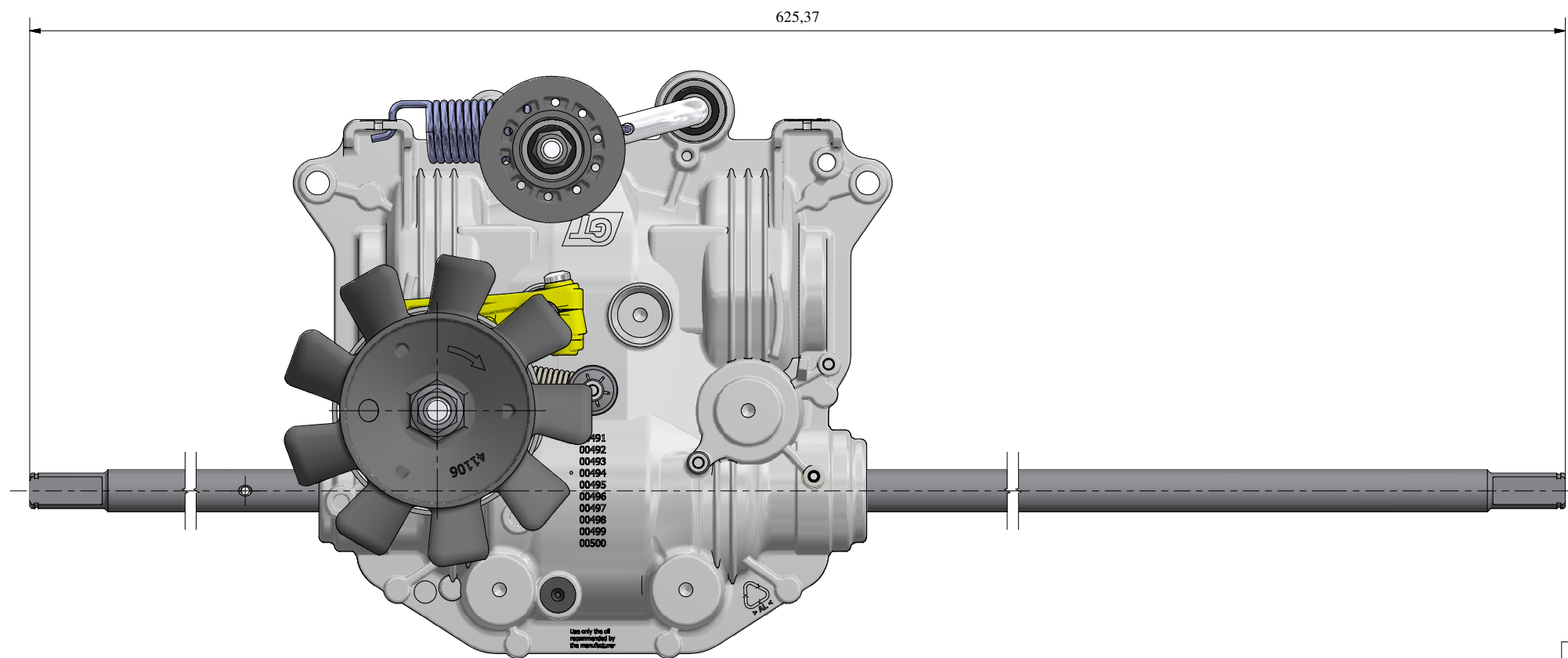
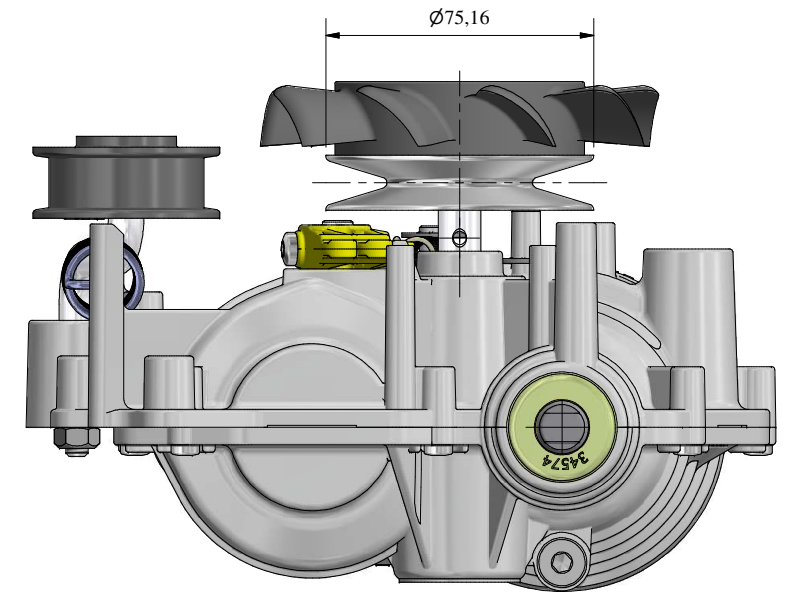


Ratio : 1/9.0625



11/10/2018		A		Drawing for service			RR
Date	Rev	Description of Revision				By	
Weight:		Mat.:	Treat.:		Observations:		
Drawn by: rrousselot		Date: 11/10/2018	Paper size: A2	Scale: x/x	Gen.Tol.: ±0.7	Ang.Tol.: ±2°	
Title : MV 702 - 133-2670							
Part N°: GT85079							
GENERAL TRANSMISSIONS®		www.generaltransmissions.com		This document is our property It can't be used, duplicated or given to third parties without our written authorization		Checked by : Approved by:	
BP 317 - ZI Bois Joly n°4 - 85503 Les Herbiers FRANCE		2345 Hudson Blvd Brownsville, TX 78526, USA		Ave.Uniones 90 - Zona Industrial - Matamoros.Tam.C.P.87325 Mexico.			
Tel : (33) 02 51 66 96 30		Tel: (1) 956 541 3443		Tel: (52) 868 810 3790			
Fax : (33) 02 51 66 84 63		Fax: (1) 956 541 9941		Fax: (52) 868 810 2723			