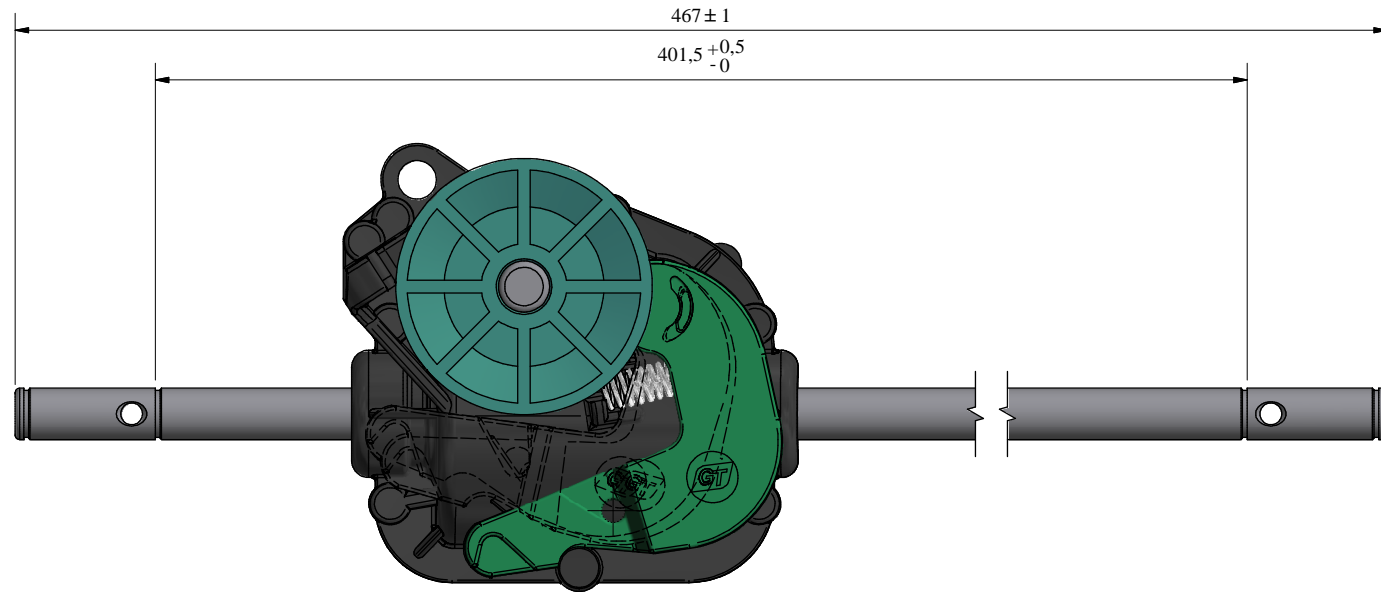
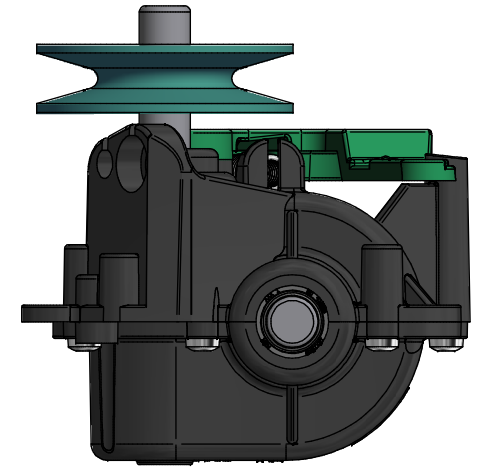


Ratio: 7/1



10/01/2018	A	Drawing for Service					FB
Date	Rev	Description of Revision					By
Weight:		Mat.:		Treat.:		Observations:	
Drawn by: hblit		Date: 15/12/2015		Paper size: A3	Scale: x/x	Gen.Tol.: ± 0.7	Ang.Tol.: $\pm 2^\circ$
Title : Reducteur MS 300 MORELAND QINGDAO Part N°: GT85109 Reducteur synchro MORELAND QINGDAO							
GENERAL TRANSMISSIONS® www.generaltransmissions.com				This document is our property It can't be used, duplicated or given to third parties without our written authorization		Checked by : Approved by:	
BP 317 - ZI Bois Joly n°4 - 85503 Les Herbiers FRANCE Tel : (33) 02 51 66 96 30 Fax : (33) 02 51 66 84 63		2345 Hudson Blvd Brownsville, TX 78526. USA Tel: (1) 956 541 3443 Fax: (1) 956 541 9941		Ave.Uniones 90 - Zona Industrial - Matamoros.Tam.C.P.87325 Mexico. Tel: (52) 868 810 3790 Fax: (52) 868 810 2723			